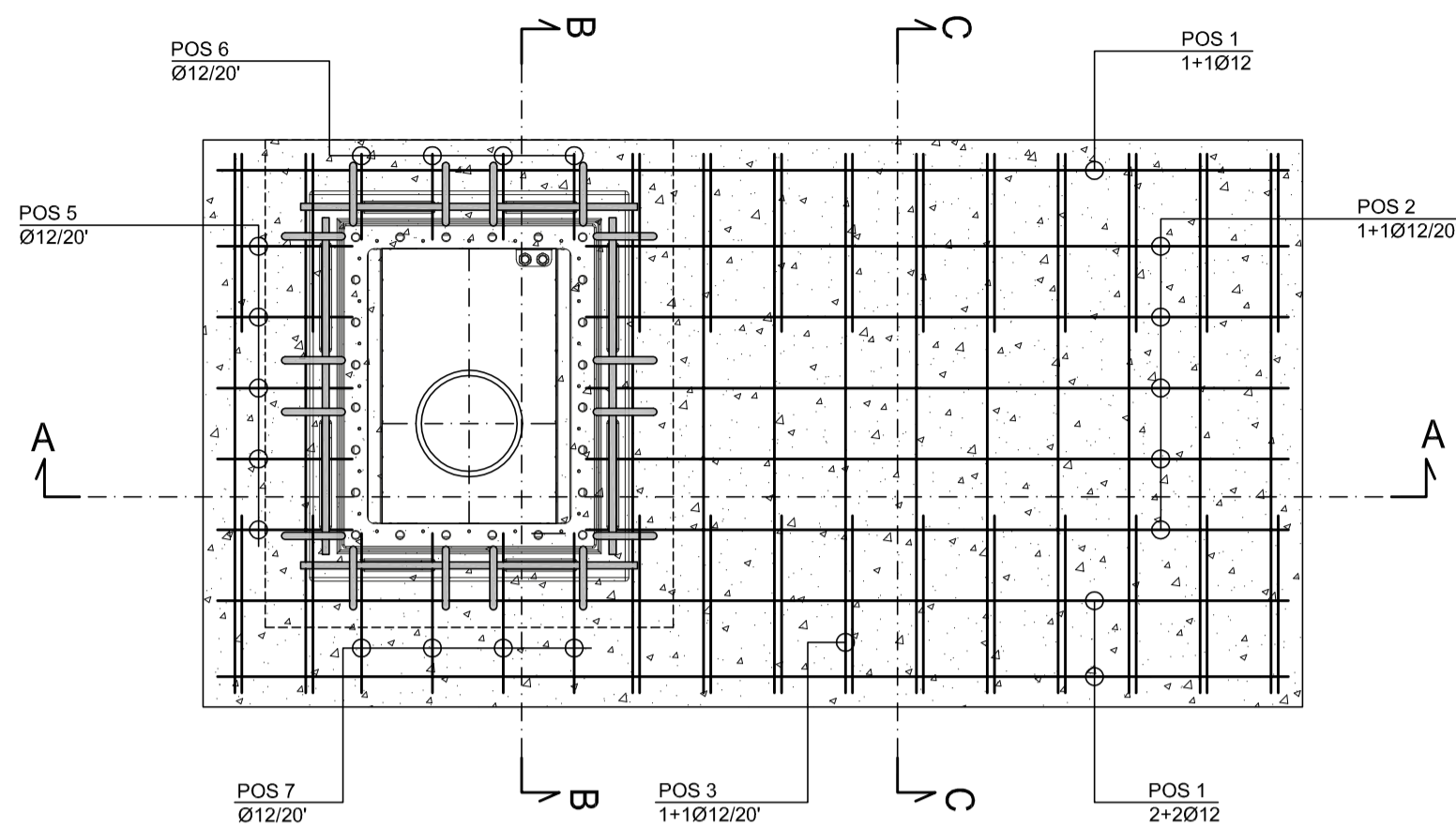
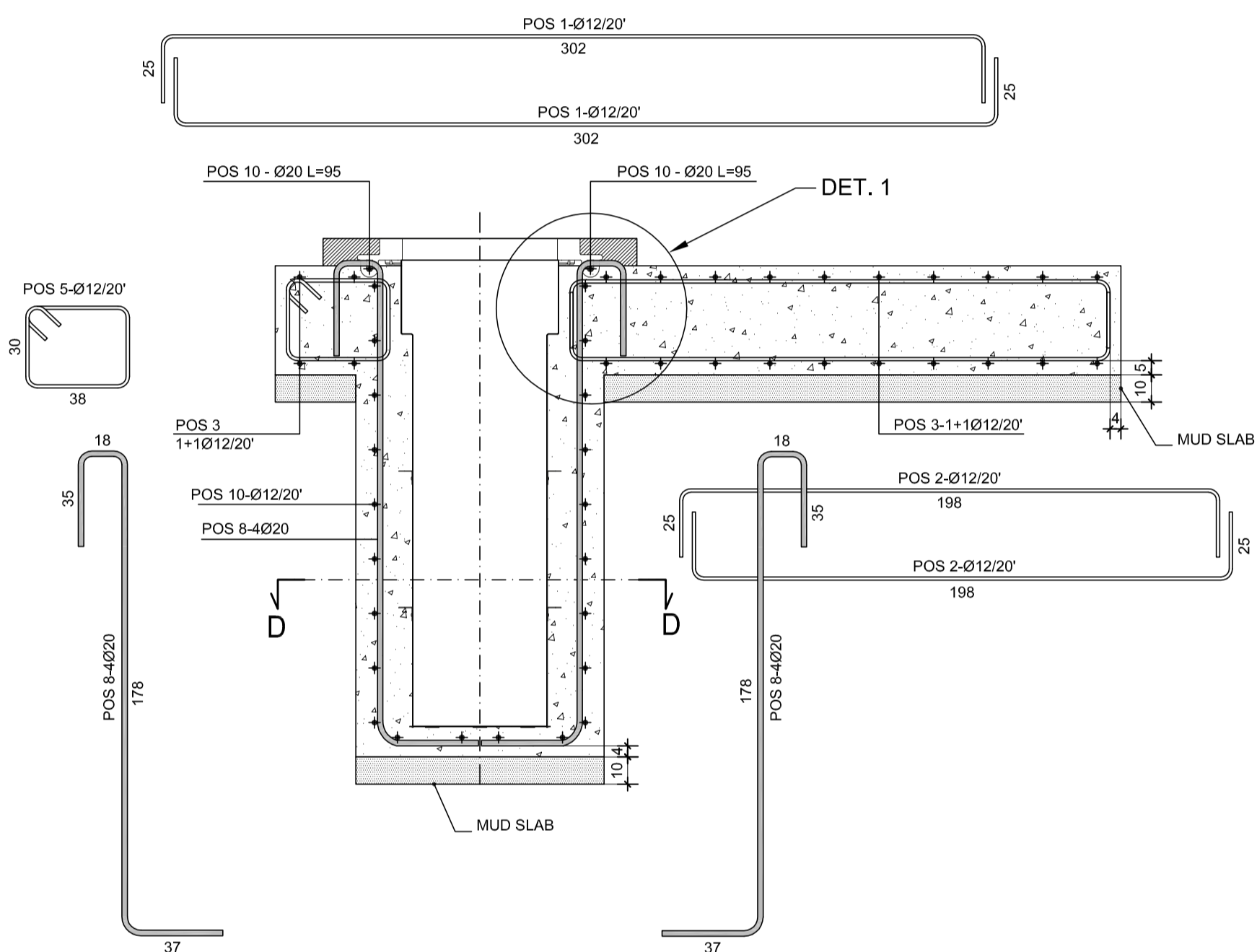


### REBAR PLACEMENT PLAN

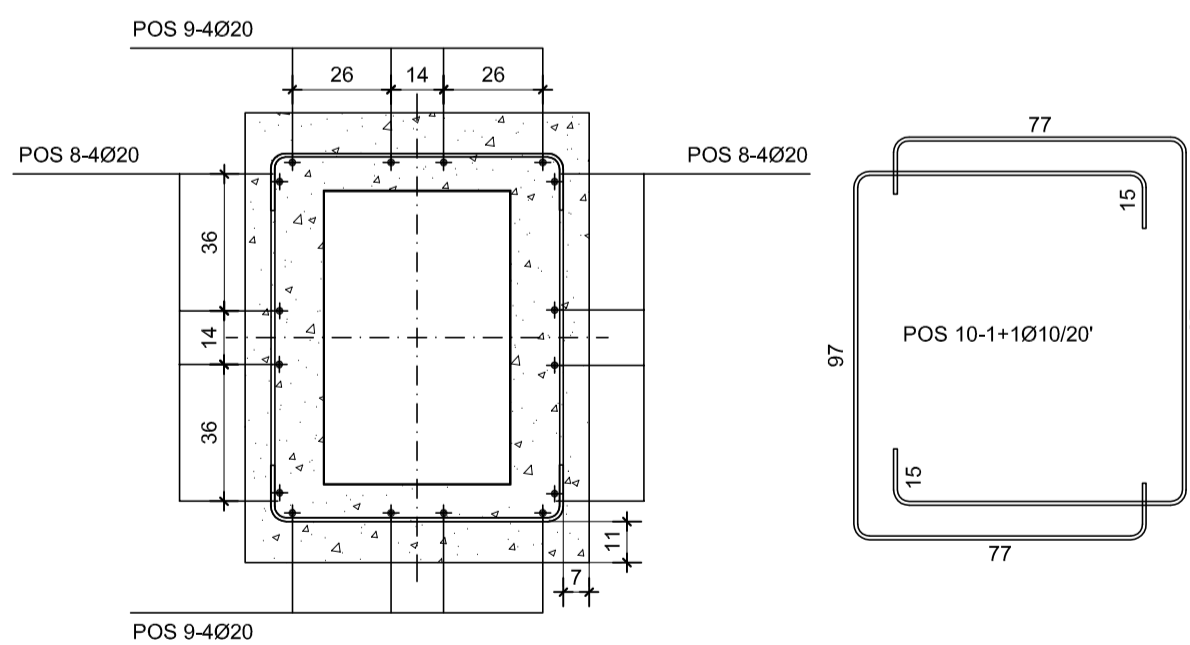
SCALE 1:20



### SECTION A-A

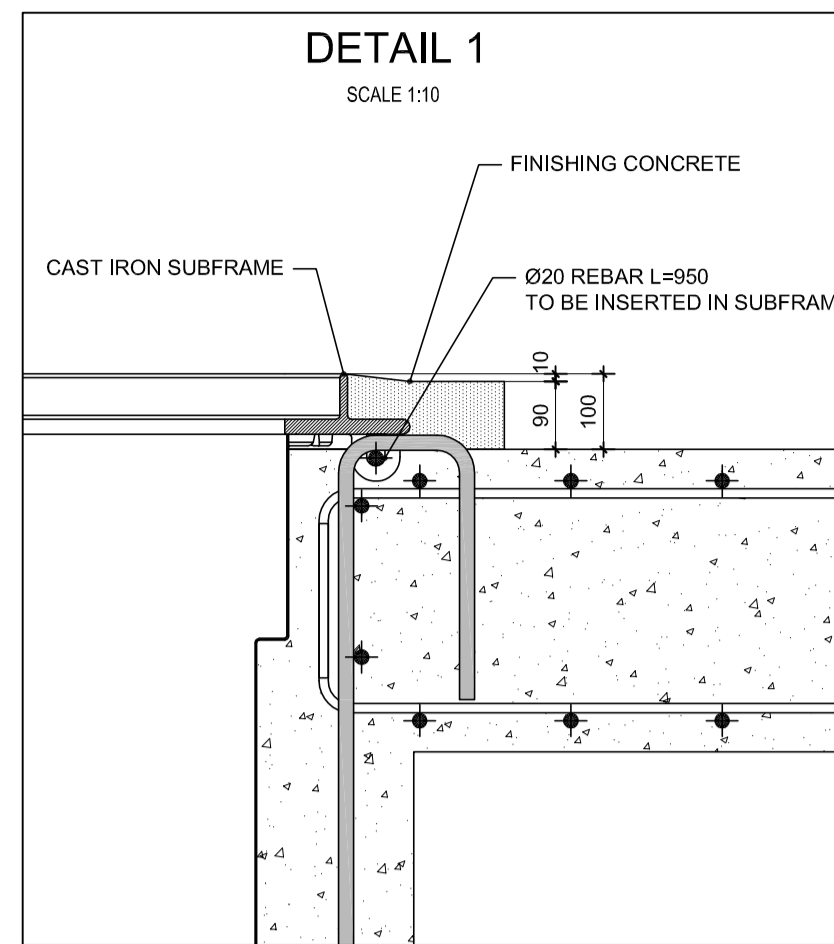


### SECTION D-D

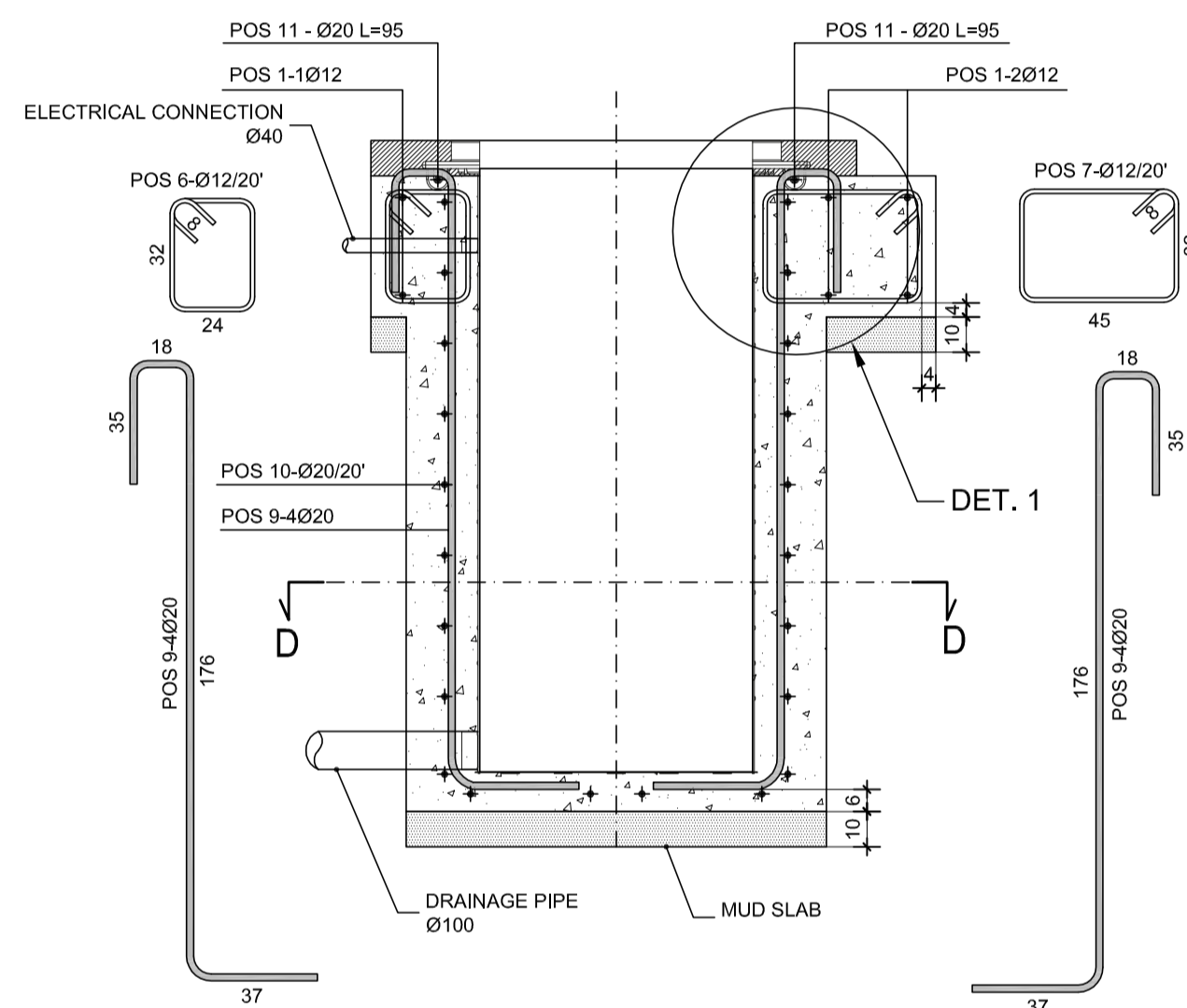


### DETAIL 1

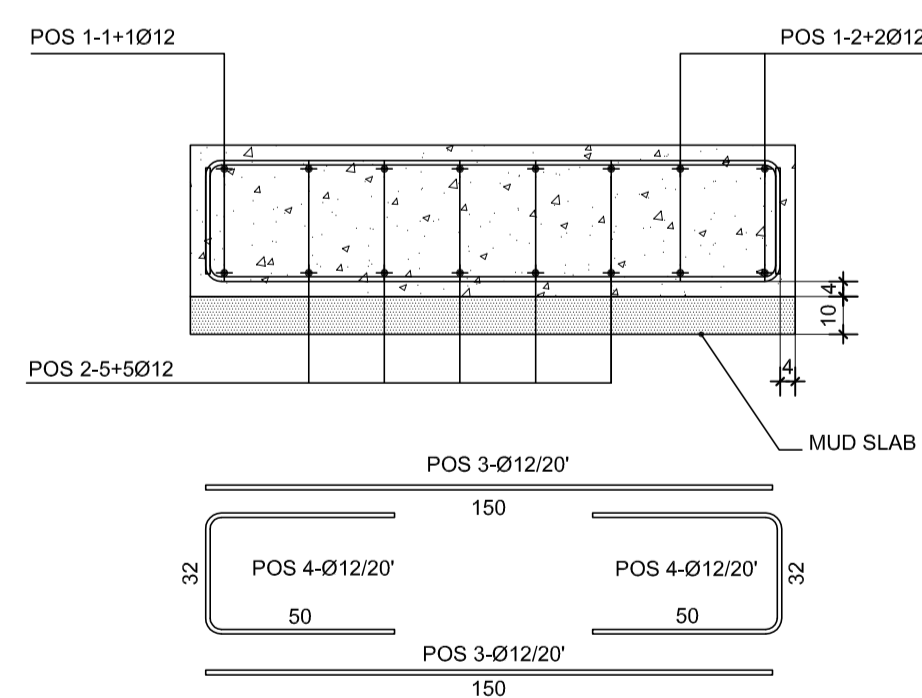
SCALE 1:10



### SECTION B-B

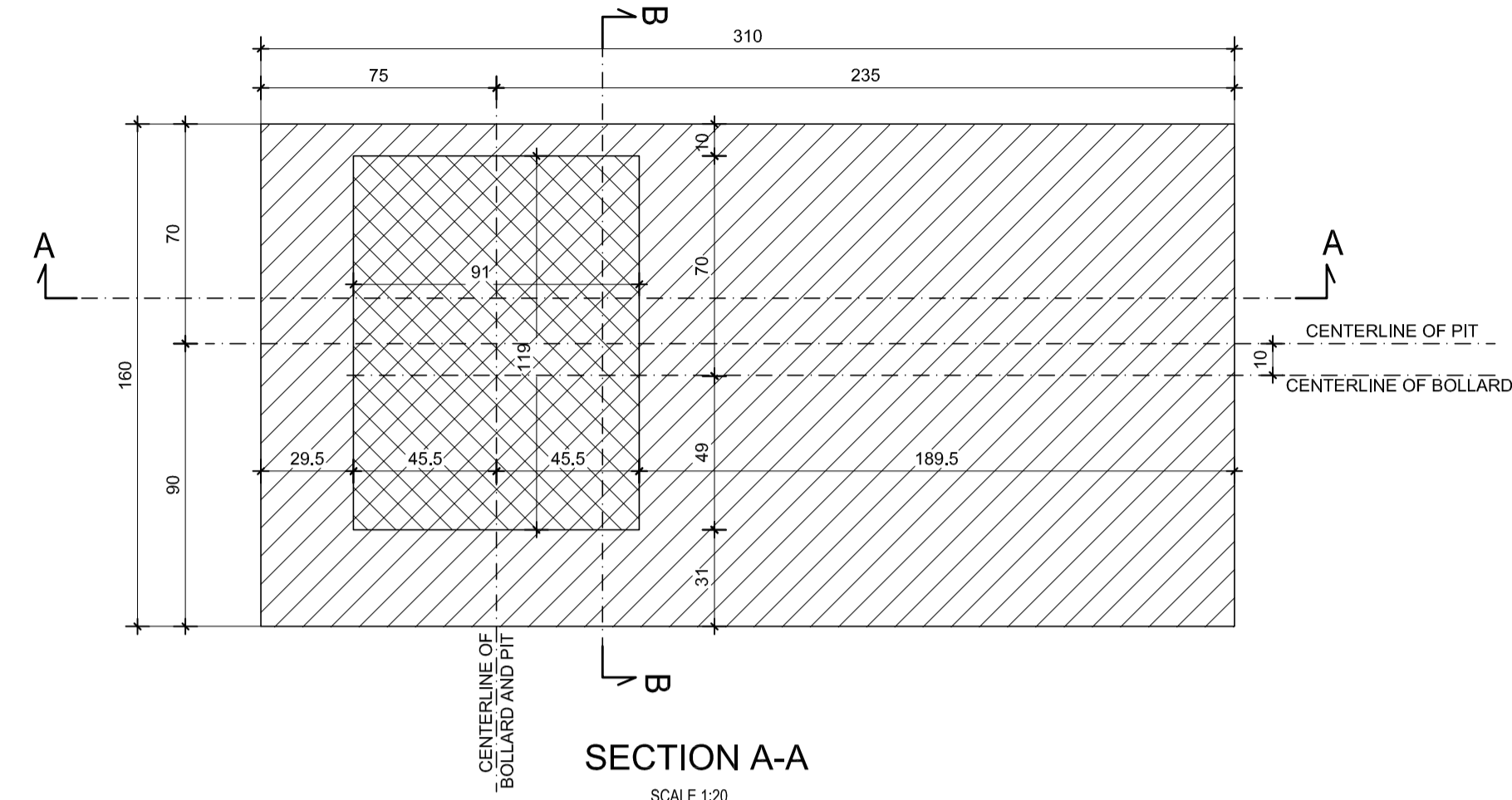


### SECTION C-C



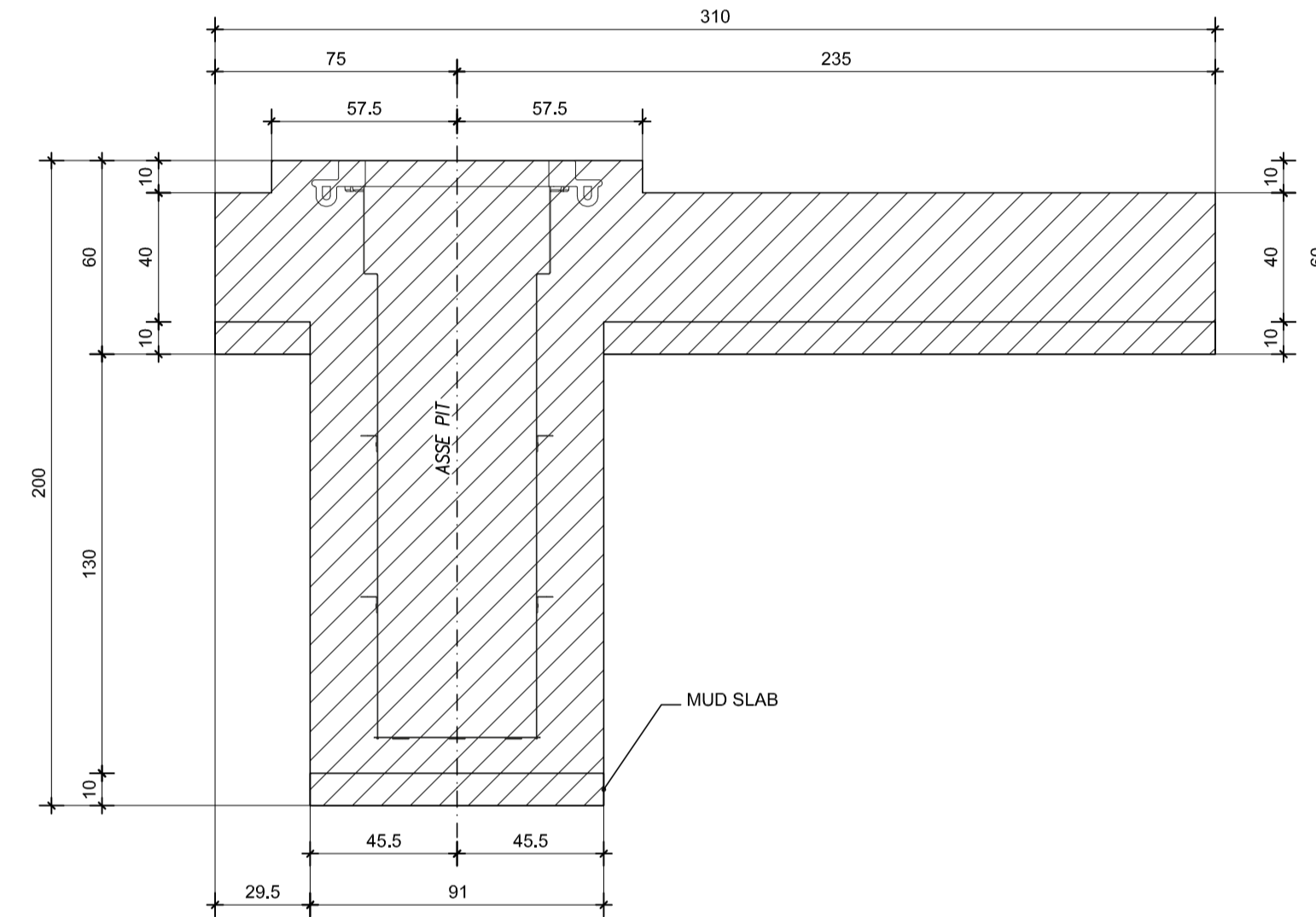
### FOUNDATION DIGGING PLAN

SCALE 1:20

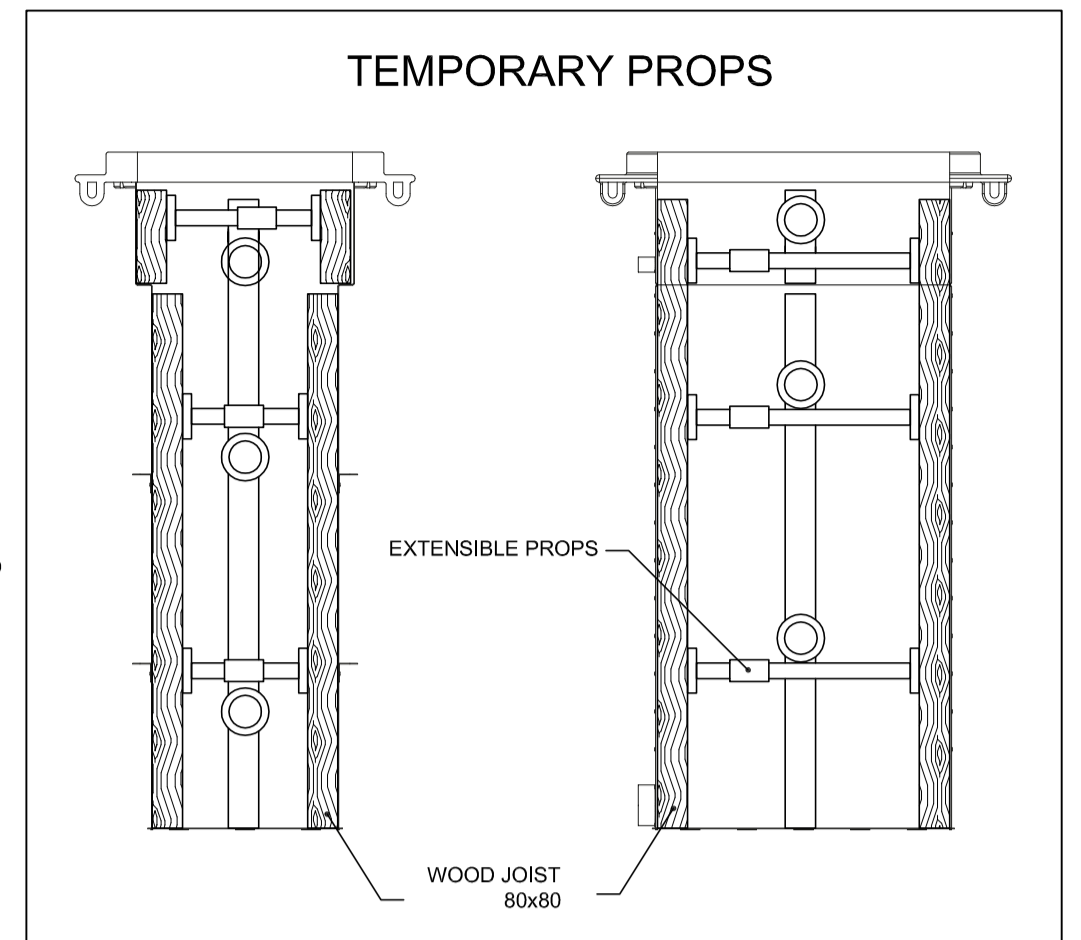


### SECTION A-A

SCALE 1:20

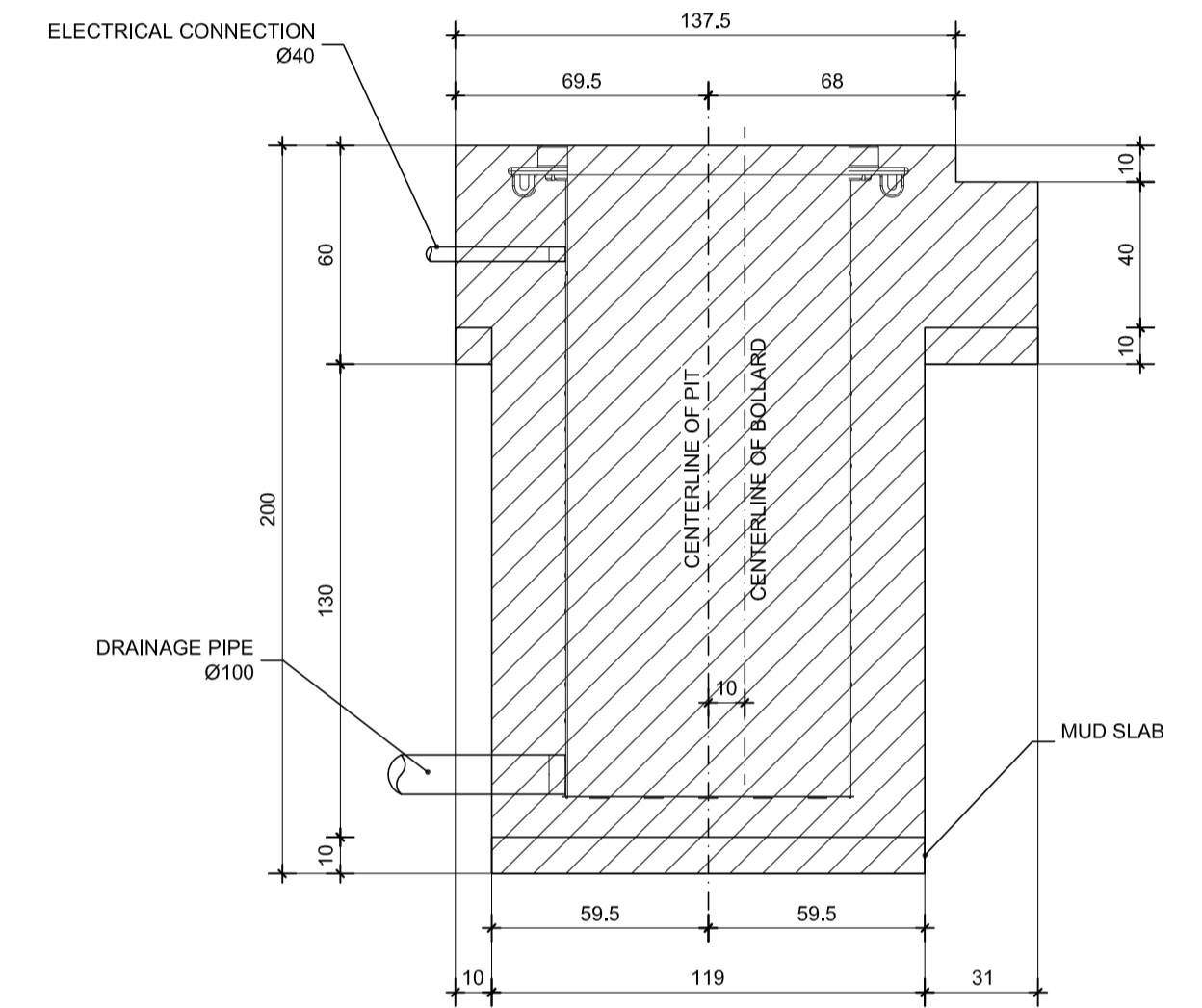


### TEMPORARY PROPS



### SECTION B-B

SCALE 1:20



REBAR SCHEDULE				
pos.	n°	φ	L (cm)	W (kg)
1	6	12	352	18,75
2	10	12	248	22,02
3	24	12	150	31,96
4	24	12	132	28,13
5	5	12	160	7,10
6	4	12	140	4,97
7	4	12	180	6,39
8	8	20	268	52,87
9	8	20	266	52,48
10	18	10	281	31,18
11	4	20	95	9,37
total weight of rebar				265,23

<b>WEIGHT OF THE PIT</b>	Kg	280,00
--------------------------	----	--------

VOLUME OF CONCRETE		
for mud slab	mc	0,50
for foundation	mc	2,92

<b>VOLUME OF DIGGING</b>	mc	4,48
--------------------------	----	------

## MATERIALS + SPECIFICATION

### CONCRETE

	Resistance class	Type of cement	water/cement ratio (weight)	Consistence slump (mm)	Exposure class (EN206-1)	max. aggregate diameter	min. rebar cover (EC2)	additives
MODERATE EXPOSURE	C25/30	Portland 325/425	0.60	S4-160/210	XC2	20-25 mm	4.0 cm	thinner
SEVERE EXPOSURE	C30/37	Portland 325/425	0.55	S4-160/210	XD1	20-25 mm	4.0 cm	thinner
MUD SLAB CONCRETE	C12/15	Portland 325			X0	20-25 mm		

MATURATION RULES (UNI EN 13670-1:02)  
 Formwork removal time 48 hours  
 Max resistance 28 days

### REBAR

IRON B450C or N20

Min. distance between bars = 35 mm

CONCRETE COVERS MUST BE GUARANTEED BY SUITABLE MESH SPACERS

ALL DIMENSIONS MUST BE CHECKED ON SITE BEFORE TO BEGINNING WORK

**FAAC**

Via Calari 10, Zola Predosa, Bologna, Italy  
 Tel: 051-6172411 Fax: 051-758518

Description <b>J355 M50 HA PIT FOUNDATION (single version)</b>	Code <b>532233</b>	Revision <b>A</b>
---	-----------------------	----------------------