



Magnetic Autocontrol GmbH

Grienmatt 20
D-79650 Schopfheim
Tel. 07622 695-5

Job number

5526,0010

type

MicroDrive - standard barrier

MHTM - MicroDrive - - R/LA ... 0 0

Number of pages 5

14	14.10.14	5K14525	gp	02.12.2010
16	07.11.18	5E18501	TO	fmeier
15	14.02.18	5K18500	TO	
version	date	modification project	name	

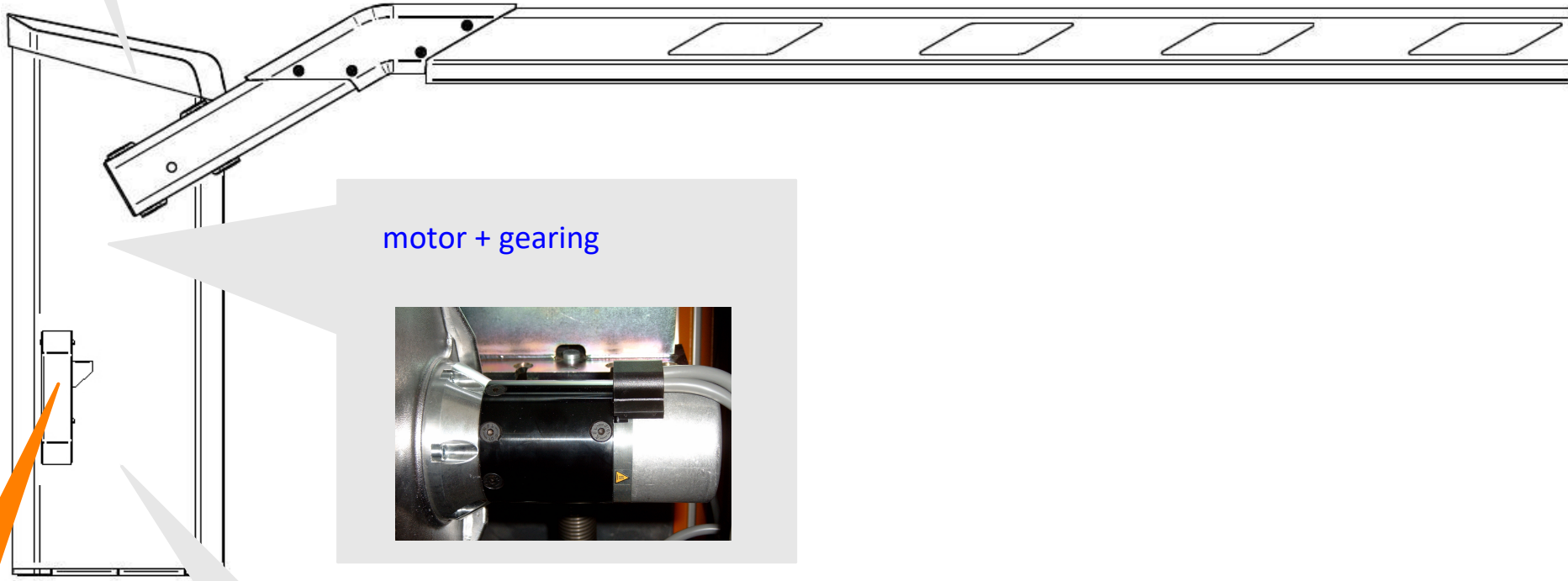
MHTM
MicroDrive - standard barrier



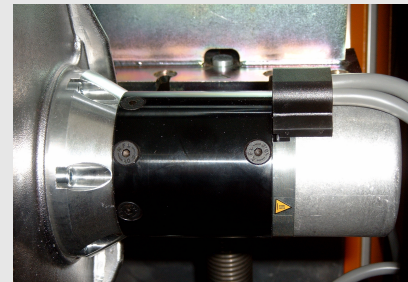
Cover sheet

		=	
		+	
		5526,0010	Page 1
			of 5

Controller



motor + gearing



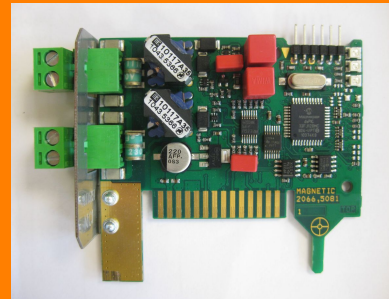
light barrier transmitter



Option



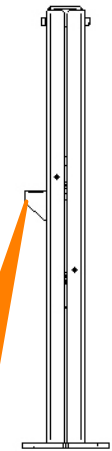
mounting plate



loops



Option



light barrier receiver



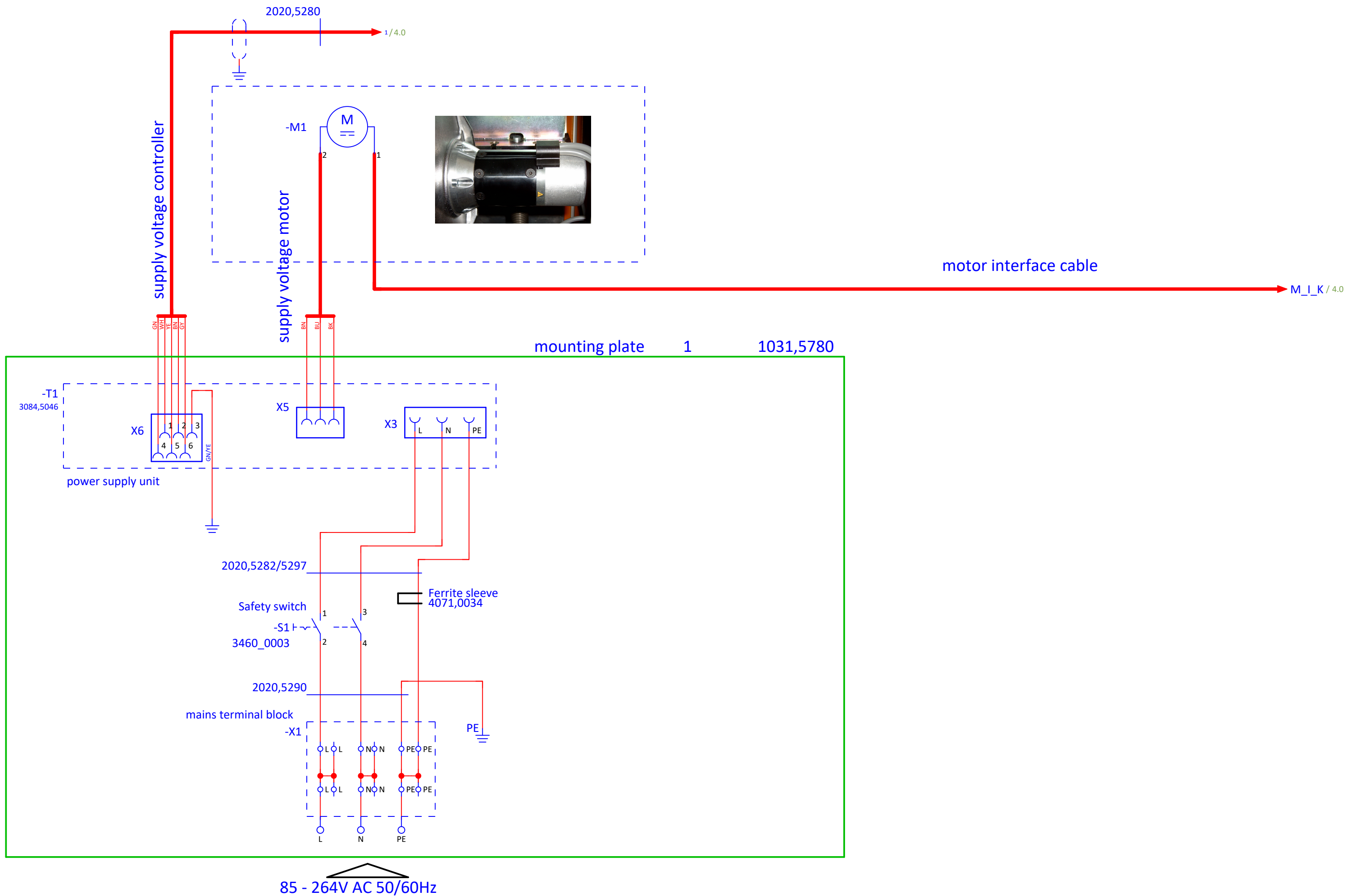
Option

14	14.10.14	5K14525	gp	02.12.2010
16	07.11.18	5E18501	TO	fmeier
15	14.02.18	5K18500	TO	
version	date	modification	project	name

MHTM
MicroDrive - standard barrier



5526,0010



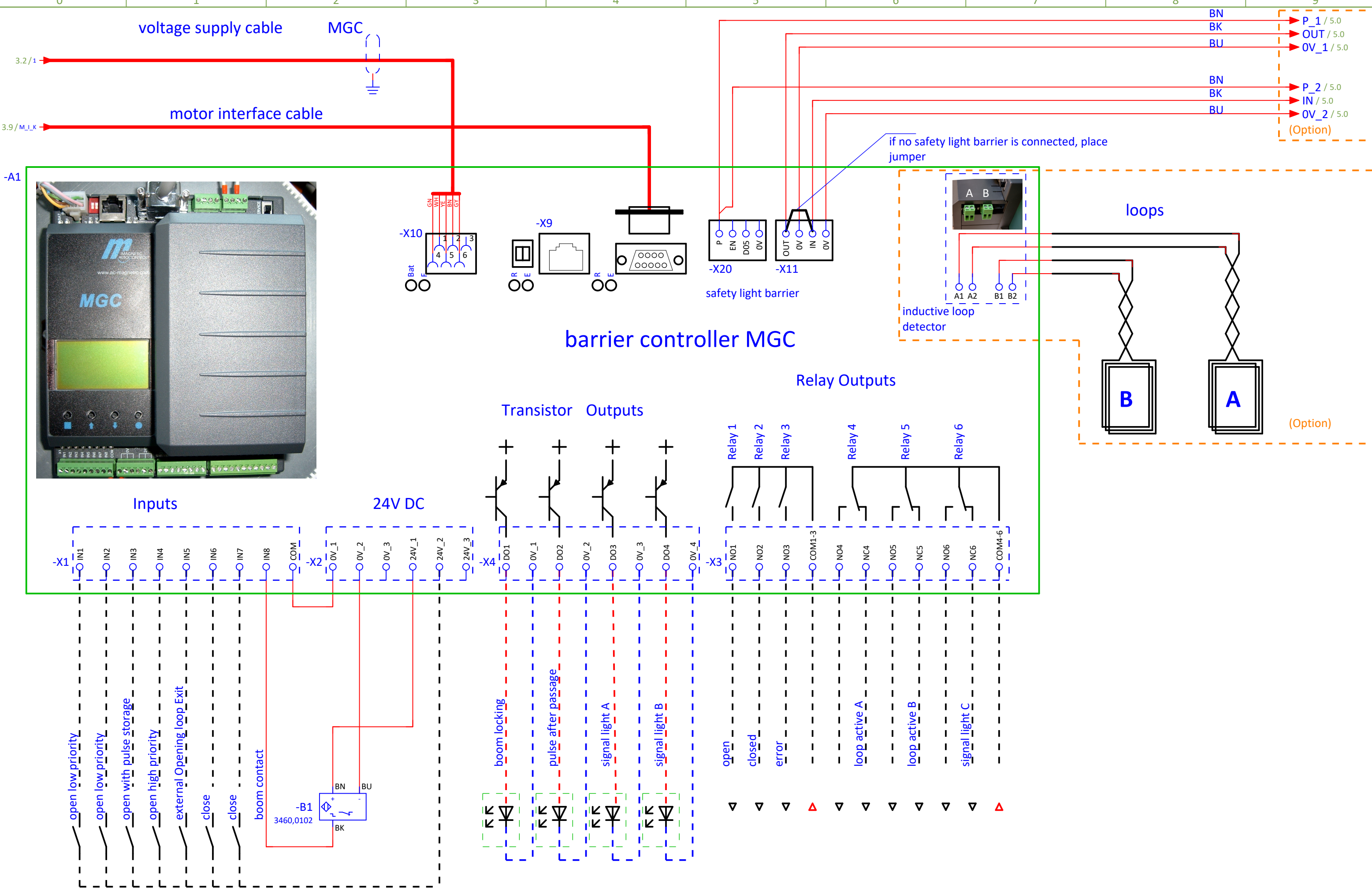
14	14.10.14	5K14525	gp	02.12.2010
16	07.11.18	5E18501	TO	fmeier
15	14.02.18	5K18500	TO	
version	date	modification project	name	

MHTM
MicroDrive - standard barrier



mains connection
Power supply unit

		=
		+
	5526,0010	Page 3
		of 5

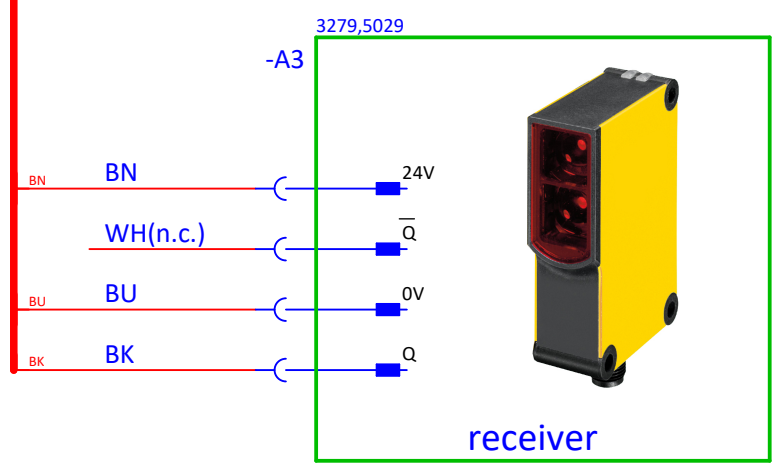
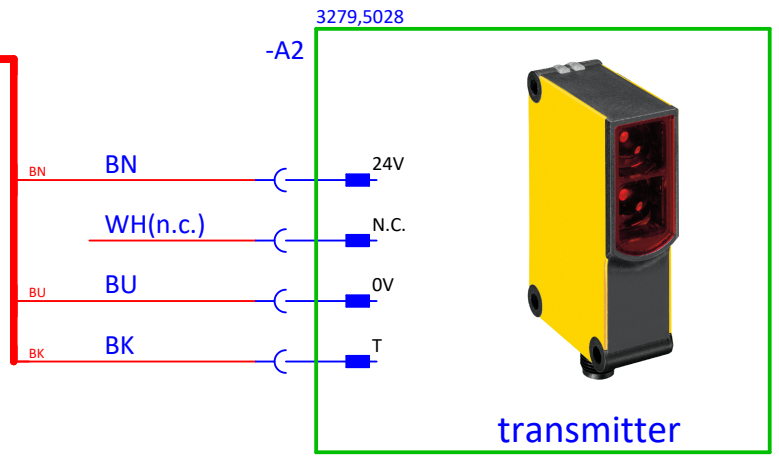
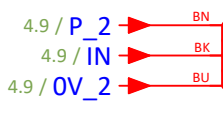
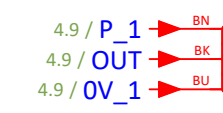


14	14.10.14	5K14525	gp	02.12.2010
16	07.11.18	5E18501	TO	fmeier
15	14.02.18	5K18500	TO	
version	date	modification	project	name

MHTM
MicroDrive - standard barrier



barrier controller MGC
input/output



(Option)

14	14.10.14	5K14525	gp	02.12.2010
16	07.11.18	5E18501	TO	fmeier
15	14.02.18	5K18500	TO	
version	date	modification project	name	

MHTM
 MicroDrive - standard barrier



safety-light barriers Option
 LS01