



The elegant access solution for secured areas

Demanding architecture with high security requirements poses a huge challenge – especially for access controls. We have developed the mWing pedestrian passageway for these applications. Thanks to its extra slimline silhouette, it not only fits seamlessly into your environment but also delivers a decisive level of additional security due to its high doors, mechanical locking and comprehensive monitoring of the access area.

The mWing is also perfectly equipped to meet the requirements of the user. Extremely short opening times – which are speeded up further by the preset travel function – and the possibility of open-gate operation make the tiresome exercise of compulsory access controls a minor detail that is completed in passing. This alone means that the mWing increases user acceptance and thus also significantly improves security in the building. The lighting options and the warm, pleasant housing made of mDure[®] prepare a friendly welcome for visitors and guide them reliably into the building.



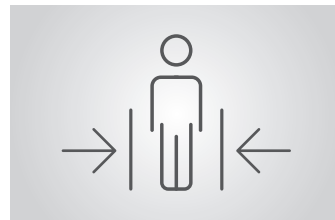
Unobstructed escape routes

FlowMotion[®] gates provide free passage if there is a power outage or alarm signal. They automatically resume operation when the alarm is over or power has been restored.



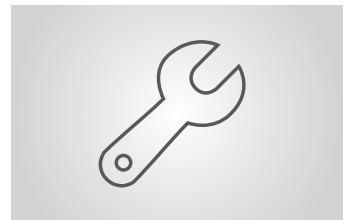
Large visitor numbers

It makes sense to use several parallel lines if large numbers of visitor authorizations need confirmation within a very short time. All FlowMotion[®] pedestrian gates are suitable for the straightforward setting up of multiple applications thanks to their uniform stylistic language and control technology.



Secure access control

Light barriers in the passageway reliably detect people and objects. They enable non-contact throughput and trigger an alarm in the event of unauthorised use.



Rapid installation

Our pedestrian gates are supplied ready for installation. All the selected options have already been installed, and the corresponding parameters preset, before delivery to the point of use. This, and the drilling templates, considerably shorten commissioning times.

mWing

Pedestrian passageway with wing gates

- > High visitor throughput thanks to rapid opening times and preset travel function
- > Open-gate mode for extra throughput acceleration
- > For maximum security requirements in monitored and unmonitored areas
- > Low impact forces for maximum personal safety
- > Freely turning on power outages
- > Designed for 10 million opening and closing cycles



Technical data	mWing
Application	Indoor and outdoor
Passage width	Standard: 600 mm Wide Lane: 900 mm (more on request)
Height of barrier elements	Standard: 888 mm High: 1800 mm (more on request)
Opening/closing time	0.6 – 1 s, depending on barrier element dimensions
Flow ratings (number of persons per min.) ¹	approx. 40
Drive technology	MHTM™
Control system	MGC
Voltage	100–240 V AC, 50/60 Hz
Power consumption	Maximum 45 W
Duty cycle	100%
Housing material	mDure
Housing dimensions (L x W x B)	1300 x 1050 x 180 mm
Enclosure rating	IP 54
Weight	About 120 kg per module
Temperature range	–30 to +55 °C

¹ Depending on reader, lock setting, person behaviour

Features	
Direction of passage	Uni- or bi-directional
Emergency release	On power outage or closing of alarm contacts
Random generator	Integrated in control system
Throughput data acquisition and event log	Integrated in control system
Control system inputs and outputs	8 digital inputs, 4 digital outputs, and 6 relay outputs

Standard colours

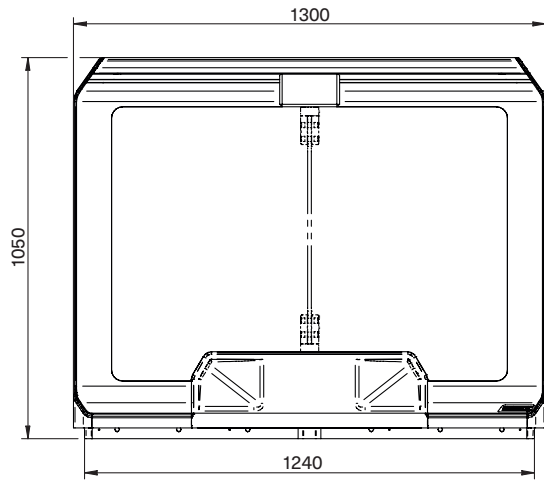
	
Basalt (similar to RAL 9006)	Anthracite (similar to RAL 9005)

An overview of all special colours and effect coatings is available on page 100.

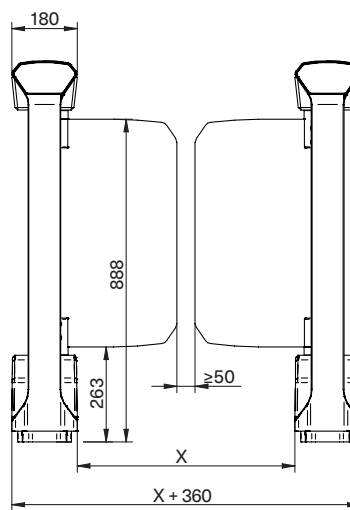
Potential applications



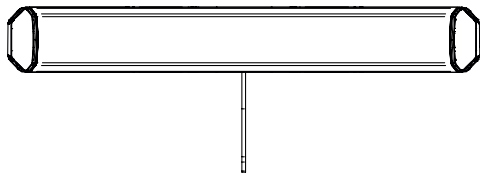
mWing – side view



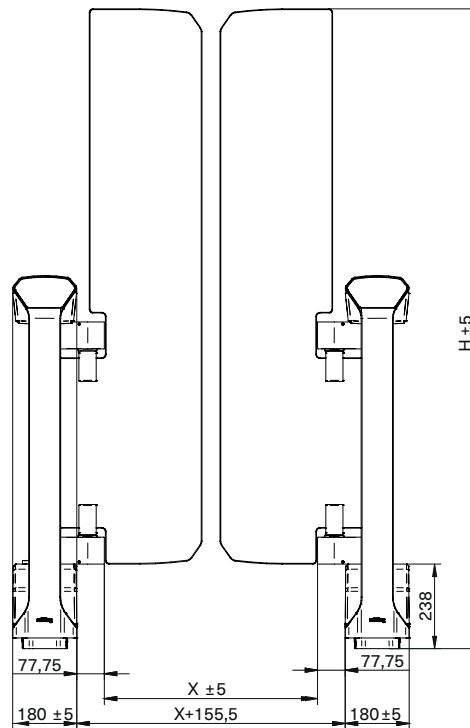
mWing – front view



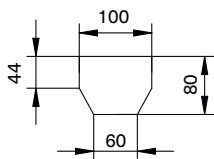
mWing – top view (1 module)



mWing – front view with high glass panel



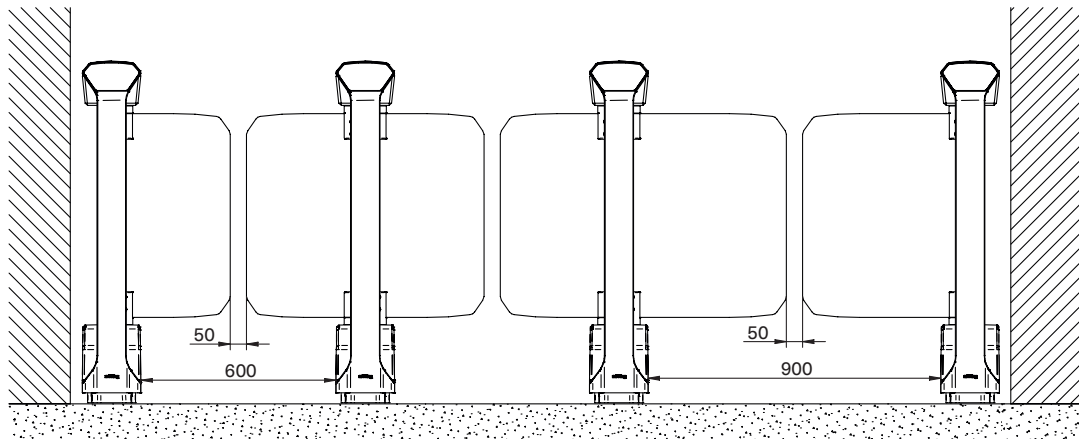
Mounting space for reader devices
(without optional passage indicator, mounting depth 40 mm)



Passage width				
Name	X [mm]	H1 [mm]	H2 [mm]	H3 [mm]
Narrow	520	1200	1500	1800
Standard	600	1200	1500	1800
Wide	900	1200	1500	1800
Extra wide	960	1200	1500	1800

Dimension X applies to normal and high doors, H1 to H3 only apply to high doors.

Line configuration of mWing with passage in standard width and with wide passageway



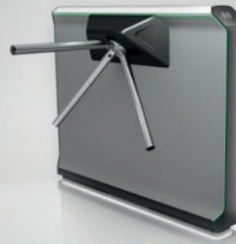
Access to Progress

Magnetic stands for pioneering products – in every way. Our access control systems for vehicles or pedestrians clear the way for thousands of people every day – at car parks, toll gates, stations, airports and in buildings. Our technology is also pioneering, however: with innovative drives, intelligent control systems and well thought-out details it provides maximum safety and longevity. Are you also on the path to Magnetic?



Vehicle barriers

Access barriers
Parking barriers
Toll barriers
Special barriers



Pedestrian gates

Turnstiles
Swing gates
Tripod gates
Retractable gates
Wing gates



Terminals

Cars
Trucks

Germany
MAGNETIC AUTOCONTROL GMBH
Grienmatt 20
79650 Schopfheim
Phone +49 7622 695-5
Fax +49 7622 695-800
E-mail info@magnetic-germany.com

Australia
MAGNETIC AUTOMATION PTY LTD
38 Metrolink Circuit
Campbellfield, VIC 3061
Phone +61 3 9339 2900
E-mail info@magnetic-oz.com

Austria
FAAC GMBH
Münchner Bundesstraße 123
5020 Salzburg
Phone +43 662 853395-0
E-mail at.info@faacgroup.com

Benelux countries
FAAC BENELUX NV/SA
Industriezone 3B
8490 Jabbeke
Belgium
Phone +32 50 320202
E-mail info@magnetic-benelux.com

MAGNETIC AUTOCONTROL GMBH
www.magnetic-access.com

Brazil
MAGNETIC AUTOCONTROL LTDA
Av. Salim Antônio Curiati, 136
04690-050 – São Paulo
Phone +55 11 5660 8500
E-mail info@magnetic-br.com

China
MAGNETIC CONTROL SYSTEMS CO., LTD
No. 3 Building, No. 51
Lane 1159, Kang Qiao (East) Road
Kang Qiao Industrial Zone, Shanghai
Phone +86 21 68182970
E-mail info@magnetic-cn.com

France
FAAC FRANCE
377 Rue Ferdinand Perrier
69808 St Priest Cedex
Phone +33 4 72 21 86 89
E-mail info@magnetic-fr.com

India
MAGNETIC FAAC INDIA PVT LTD.
PRS Centre
Plot No. 373 to 376, 2nd Floor (West Wing)
1st Cross Street, Nehru Nagar
Old Mahabalipuram Road
Kottivakkam (Opp Rayala Technopark,
Perungudi)
Chennai 600041
Phone +91 44 421 23297
E-mail info@magnetic-india.com

Ireland
NATIONAL AUTOMATION LTD
Boyle Business Park,
Boyle, Co. Roscommon
F52 V590
Phone + 353 71 9663893
E-mail sales@nal.ie

Italy
FAAC S.P.A. SOC. UNIPERSONALE
Via Calari, 10
40069 Zola Predosa (BO)
Phone +39 05161724
E-mail controlloaccessi@faacgroup.com

Middle East
FAAC MIDDLE EAST FZE
Dubai Silicon Oasis
PO Box 54886
Dubai
United Arab Emirates
Phone +971 4 3724193
E-mail info@magnetic-uae.com

N. and S. America (excl. Brazil)
FAAC INTERNATIONAL, INC
3160 Murell Road
Rockledge, FL 32955
USA
Phone +1 321 635 8585
E-mail info@magnetic-usa.com

Russia
FAAC RUSSIA
111141, г. Москва,
3-й проезд Перова Поля,
дом 8, стр. 1
Phone +7 (495) 646-87-40
E-mail info@faac.ru

Scandinavia
FAAC NORDIC AB
Box 125
284 22 Perstorp
Sweden
Phone +46 435 77 95 03
E-mail info@magnetic-nordic.com

Southeast Asia
MAGNETIC CONTROL SYSTEMS SDN. BHD
No. 17, Jalan Anggerik Mokara 31/54
Taman Perindustrian Kota Kemuning
40460 Shah Alam
Selangor Darul Ehsan
Malaysia
Phone +60 3 5123 0033
E-mail info@magnetic-malaysia.com

Spain
CLEM, S.A.U.
Avda. de la Fuente Nueva, nº 12 –
Nave 8–18
28703 San Sebastián de los Reyes
Madrid
Phone: +34 91 358 11 10
E-mail: info@clem.es

United Kingdom
FAAC (UK) LIMITED
Unit 10 The Hatch Industrial Park,
Greywell Road,
Mapledurwell, Basingstoke, Hampshire,
RG24 7NG
Phone 01256 318100
E-mail sales@faac.co.uk