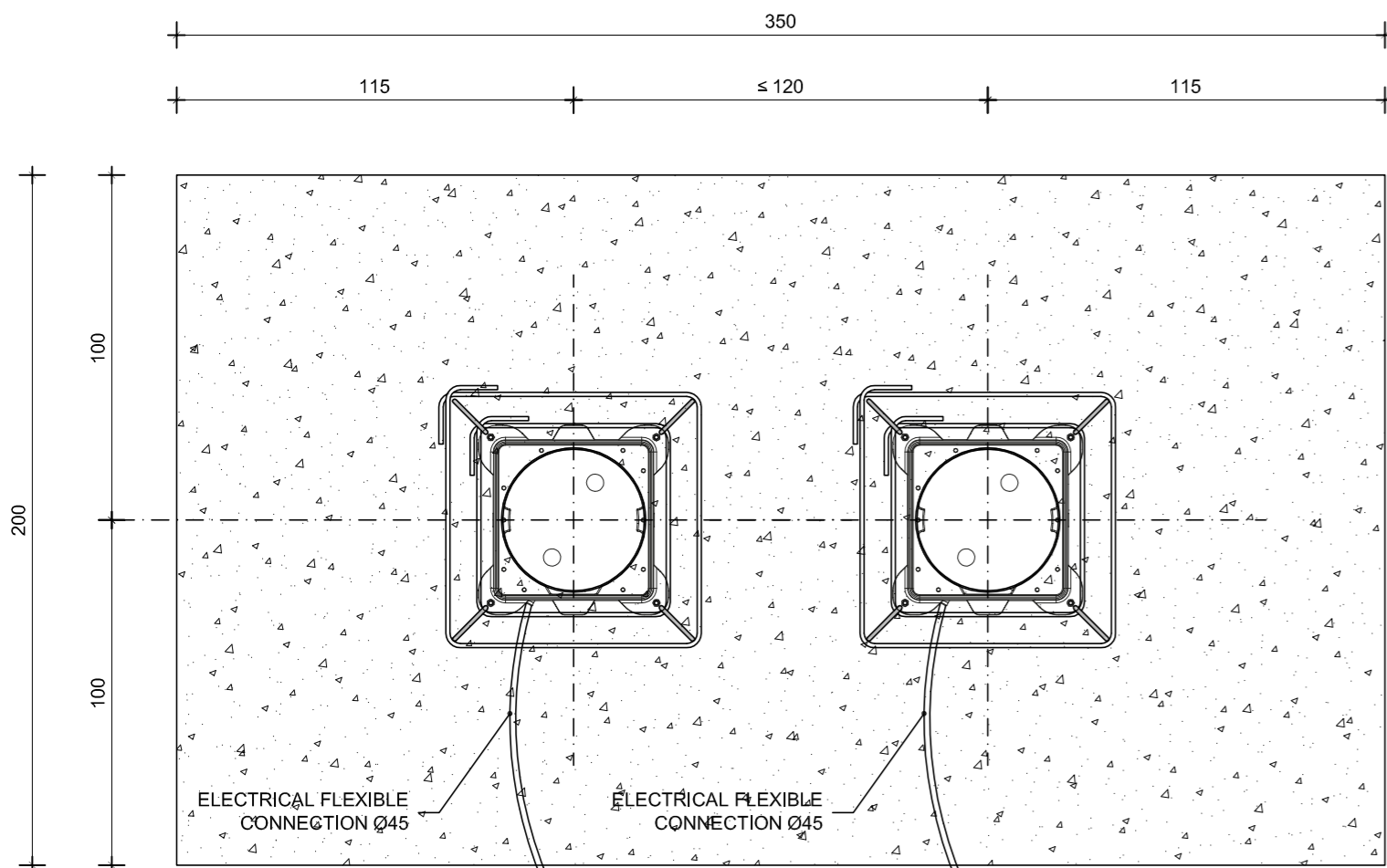


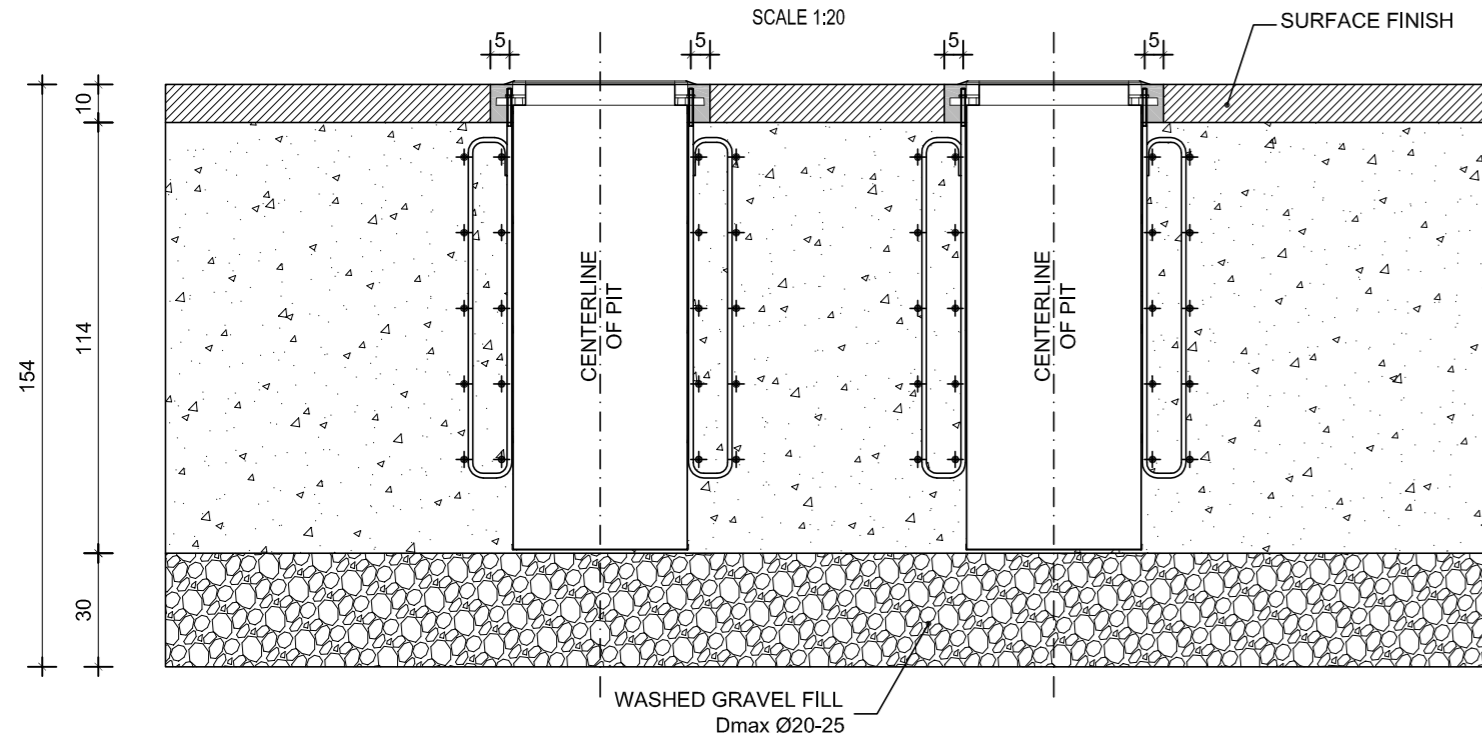
FOUNDATION DIGGING PLAN (M30 RATING)

SCALE 1:50



SECTION A-A

SCALE 1:20



M30 RATING

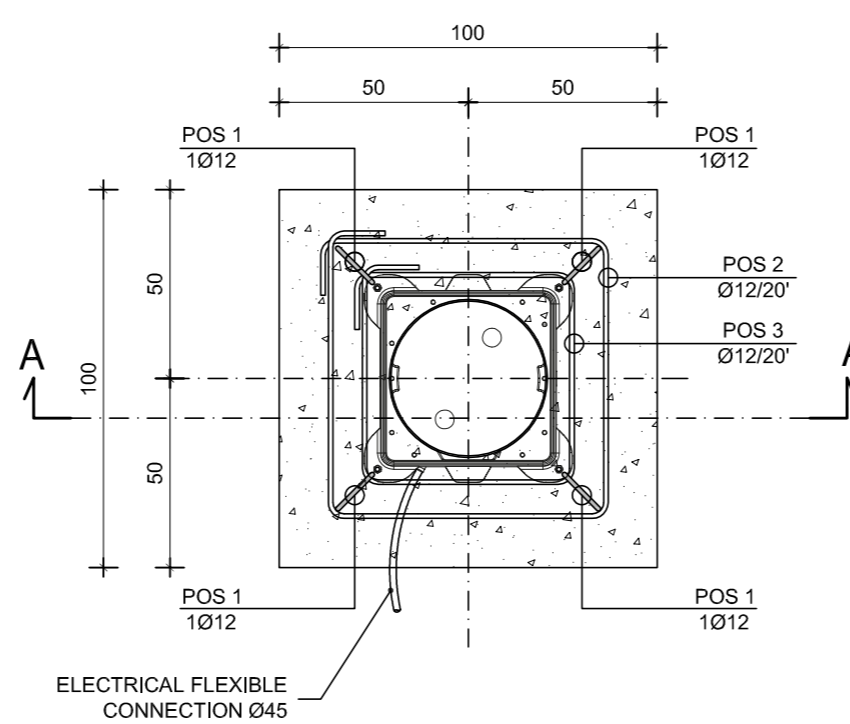
REBAR SCHEDULE

pos.	n°	φ	L (cm)	W (kg)
1	8	12	220	15,63
2	10	12	326	28,94
3	10	12	254	22,55
total weight of rebar				67,12

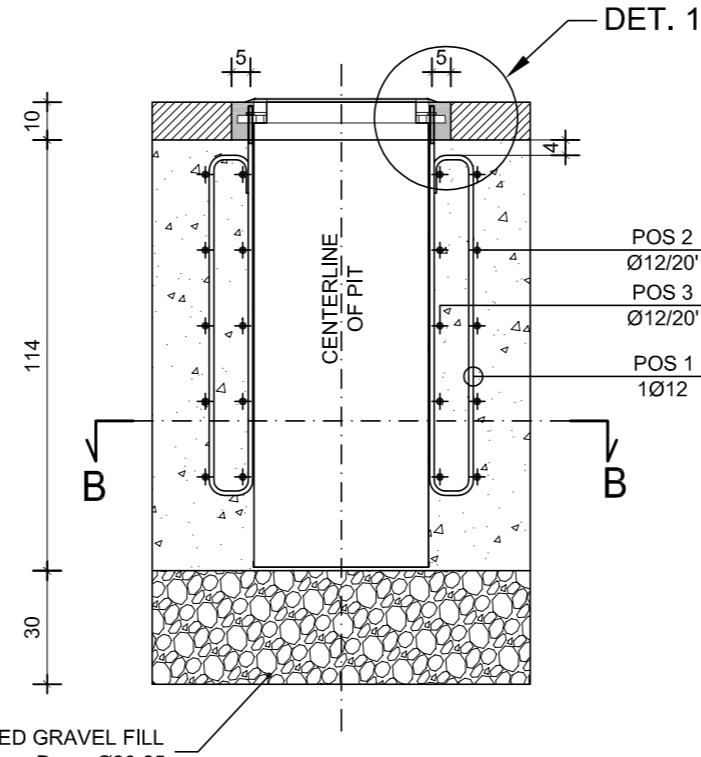
VOLUME OF DIGGING	mc	10,78
VOLUME OF GRAVEL	mc	2,10
VOLUME OF CONCRET	mc	8,36
WEIGHT OF PIT	Kg	104,00

REBAR PLACEMENT PLAN

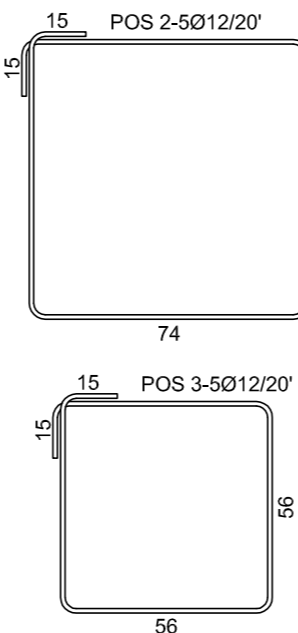
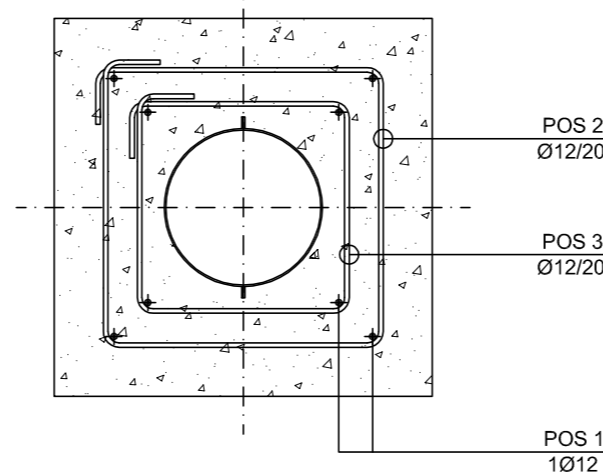
SCALE 1:20



SECTION A-A



SECTION B-B



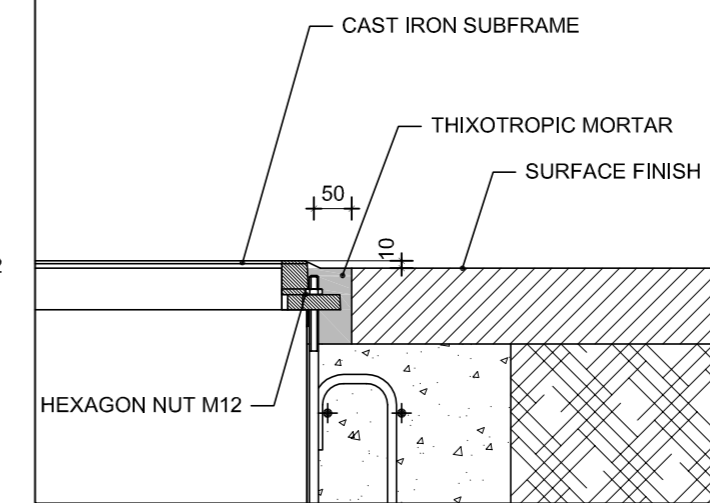
REBAR SCHEDULE

pos.	n°	φ	L (cm)	W (kg)
1	4	12	220	7,81
2	5	12	326	14,47
3	5	12	254	11,28
total weight of rebar				33,56

VOLUME OF DIGGING	mc	1,54
VOLUME OF GRAVEL	mc	0,30
VOLUME OF CONCRET	mc	1,08
WEIGHT OF PIT	Kg	52,00

DETAIL 1

SCALE 1:10

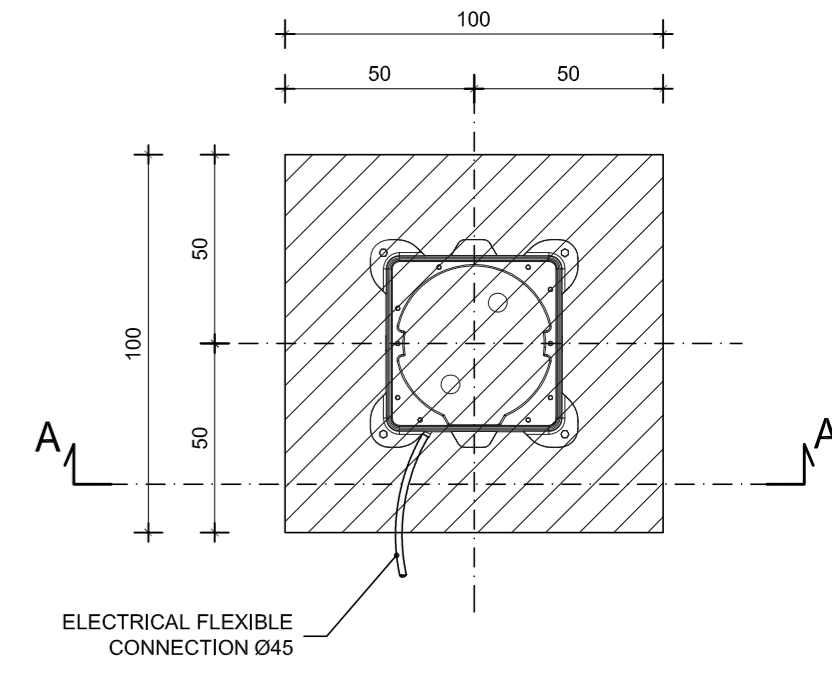


ATTENTION!

Test the drainage capacity of the ground by pouring approximately 40 litres of water into the hole, making sure that it drains in less than 30 minutes.
If it takes longer, drain rainwater by installing a Ø 60mm pipe connected to the drainage system or a pit.
The pit must be fitted with an emptying system (e.g. an electric pump) that is deeper than the catch basin that collects and discharges the rainwater.

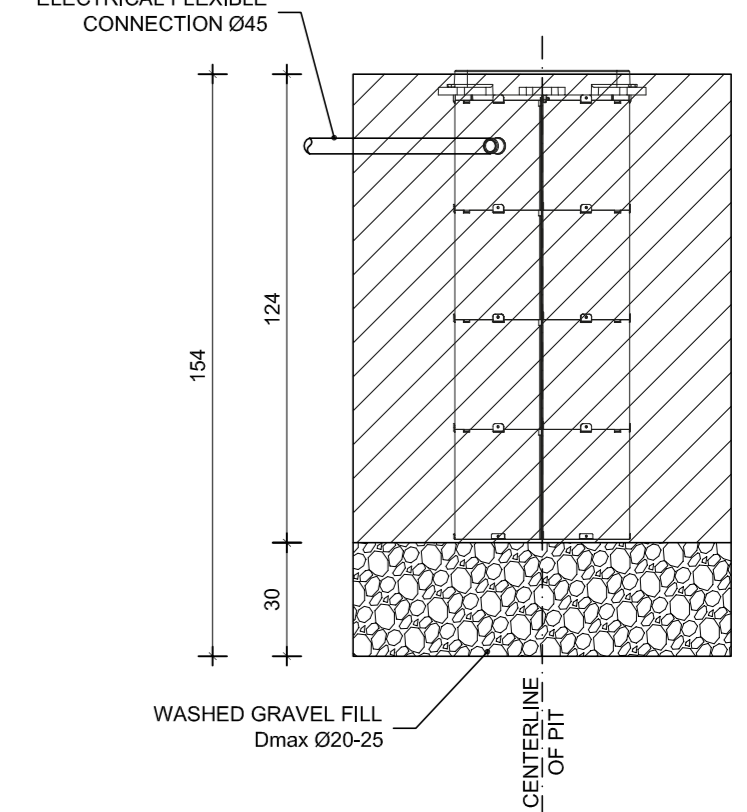
FOUNDATION DIGGING PLAN

SCALE 1:20



SECTION A-A

SCALE 1:20



MATERIALS + SPECIFICATION

CONCRETE

	Resistance class	Type of cement	water/cement ratio (weight)	Consistence slump [mm]	Exposure class (EN206-1)	max. aggregate diameter	min. rebar cover (EC2)	additives
MODERATE EXPOSURE	C25/30	Portland 325/425	0.60	S4-160/210	XC2	20-25 mm	4.0 cm	thinner
SEVERE EXPOSURE	C30/37	Portland 325/425	0.55	S4-160/210	XD1	20-25 mm	4.0 cm	thinner

MATURATION RULES (UNI EN 13670-1:02)

Formwork removal time 48 hours
Max resistance 28 days

REBAR:

IRON B450C or N20

CONCRETE COVERS MUST BE GUARATEED BY SUITABLE MESH SPACERS

ALL DIMENSIONS MUST BE CHECKED ON SITE BEFORE TO BEGINNING WORK

FAAC

Via Calari 10, Zola Predosa, Bologna, Italy
Tel: 051-6172411 Fax: 051-758518

Description

J275 2K HA H800 - PIT FOUNDATION

Code

532250

Revision

A