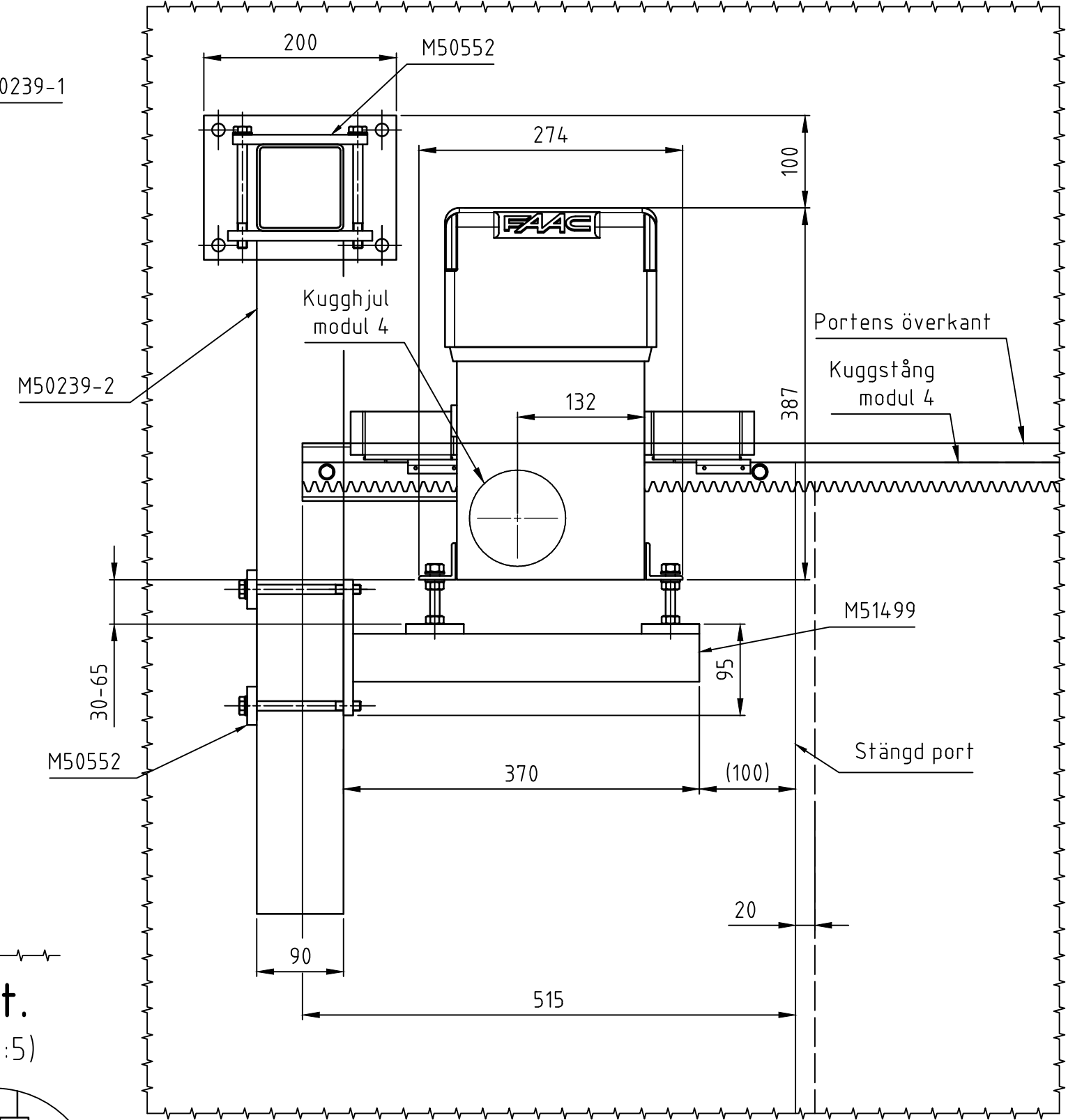
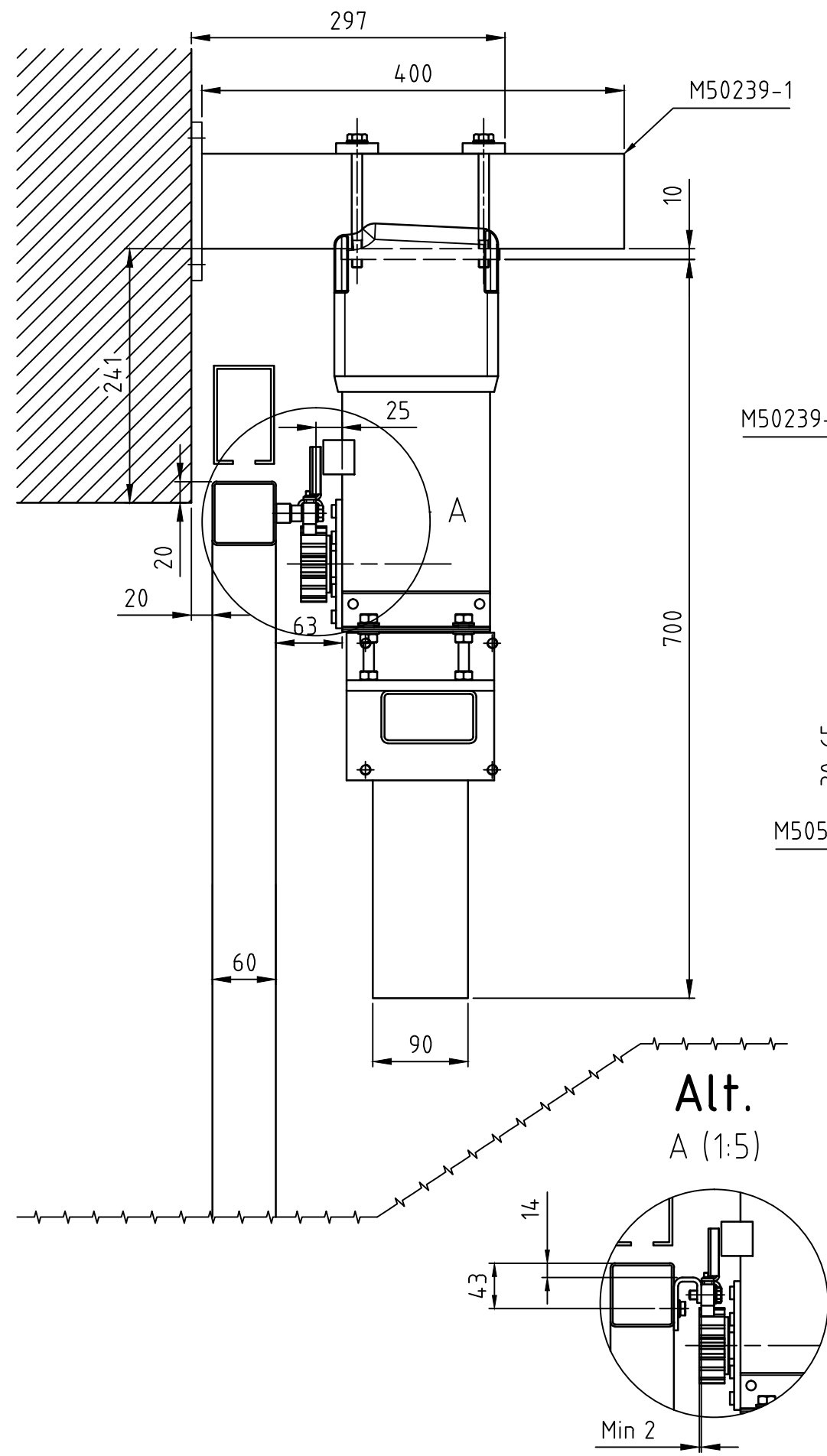


This is an assembly drawing only FAAC cannot guarantee that all details are shown correctly and in scale, only stated measurements should be treated as correct.

Nr	Ant	Ändring	Datum	Inf.	Godk.
----	-----	---------	-------	------	-------



Det.nr	Ant.	Benämning		Material	Mod.nr ämne	Anmärkning	
Konstr.	Ritad	Kop.	Kontr.	Stand.	Godk.	Skala	Dimension
AA	AA					1:5	
 FAAC <i>Simply automatic.</i> BOX 125 S-284 22 PERSTORP SWEDEN www.faac.se						Ersätter	Ersatt av
						Filnamn	Datum
Motorspel 844 modul 4. Väggmontage ovan port.							2013-10-21
						Ritn.nr	M44327R2