

# INSTRUCTION MANUAL

## DAAB OUTPUT CARD DB401

*Edition 1*



FAAC Nordic AB

BOX 125, SE-284 22 PERSTORP SWEDEN TEL. +46 435 77 95 00 FAX +46 435 77 95 29

[www.faac.se](http://www.faac.se)

## Technical data

Dimensions (WxHxD)	39x90x20 mm
Temperature range	0 to 50°C
Indicators	4 LEDs
Outputs	1 triac output max. 0.75A, 24-230VAC 3 relay outputs max. 6A per relay output, 24-230VAC/DC
Protection class	The PCB is designed for internal installation in an enclosure

## Safety instructions

See the instruction manual for the EP104 automatic control unit.

## General description

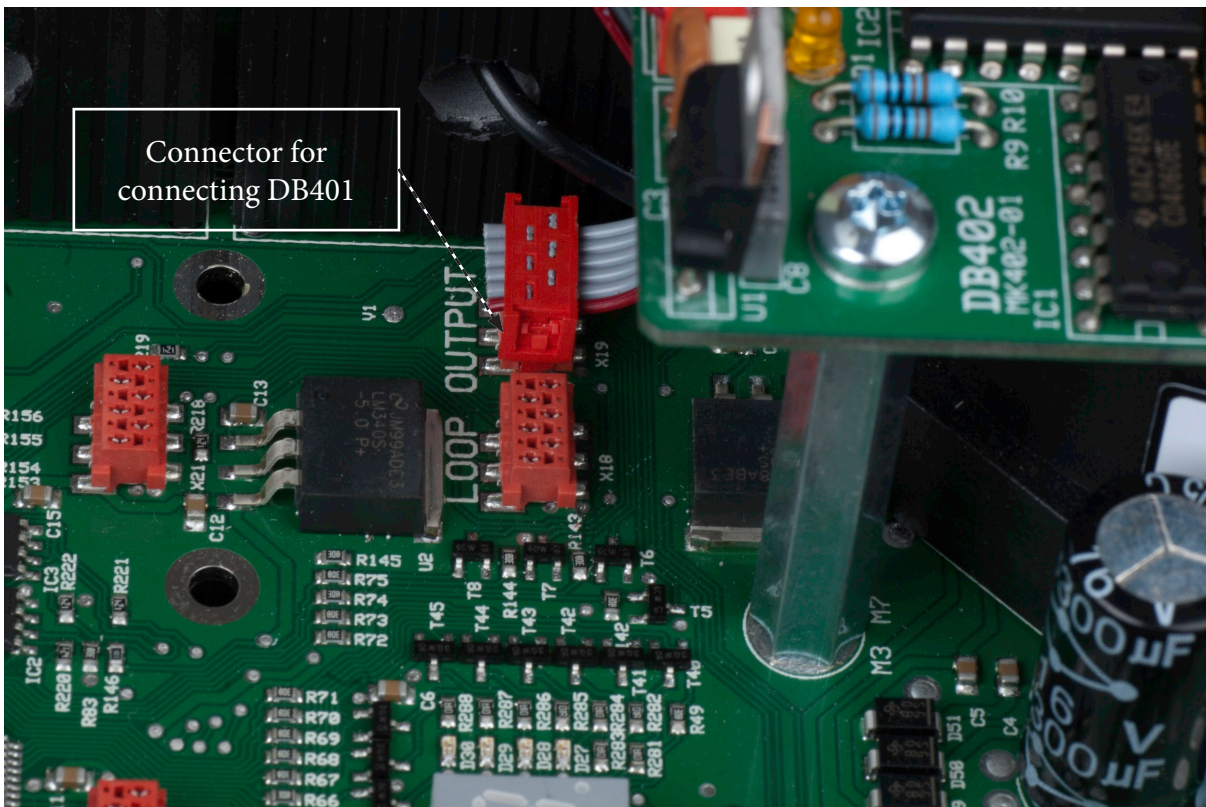
Add-in card to provide 4 outputs for the EP104. All outputs have programmable functions. The functions are configured on the motherboard, the EP104 (see instruction manual for EP104).

If output O14 is used the power supply must be AC as this is a triac output.

The status of each output is indicated by the LED fitted above its output relay.

## Installation

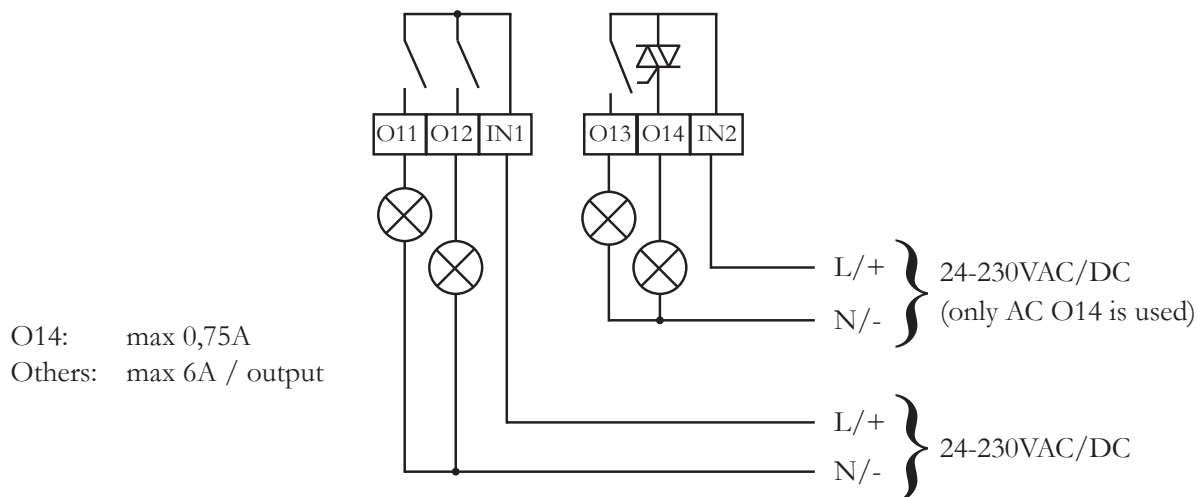
1. Cut the power to the EP104.
2. Attach the DB401 card to the spacers on the EP104 using two M4x6 screws.
3. Connect the cable to the "OUTPUT" connector.
4. Connect the card as instructed under Connections.



## Connections

FAAC Nordic AB offers a special light bulb designed for use in signal lights. This light bulb is extra durable and has an E27 screw thread and a large bulb. Signal lights with E27 screw sockets and fixtures that allow a large bulb shall be fitted with such light bulbs.

Installation shall be conducted by a qualified electrician.



## Configuring the outputs

For programming, see the instruction manual for the EP104.

**Once the card is installed and connected power can be returned to the EP104.**



**FAAC**