

MPB

Turnstile with bicycle gate

- > Simultaneous access for bike and rider
- > Sensitive contact detection for maximum safety
- > Maximum comfort through adaptive rotary speed
- > Bicycle detection via induction loop (needs to be installed in the ground)
- > Low power consumption due to maintenance-free MHTM™ drive (optionally available for the turnstile)
- > Designed for 10 million opening and closing cycles



Technical data	MPB 31 1
Technology: turnstile/hinged gate	Electro-mechanical/motor-driven
Throughput (number of persons per min.) ¹	Approx. 10
Control system	MGC/MBC
Voltage	110 – 230 V AC, 50 – 60 Hz
Power consumption	Approx. 85 W
Duty cycle	100 %
Enclosure rating	IP43 (IP54 optionally available)
Dimensions (L x W x H)	2500 x 2458 x 2235 mm
Weight	Approx. 550 kg
Temperature range	-25 to +55 °C
¹ Depending on reader, product configuration, person behaviour	

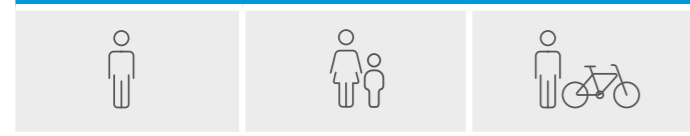
Standard colour



RAL 7042

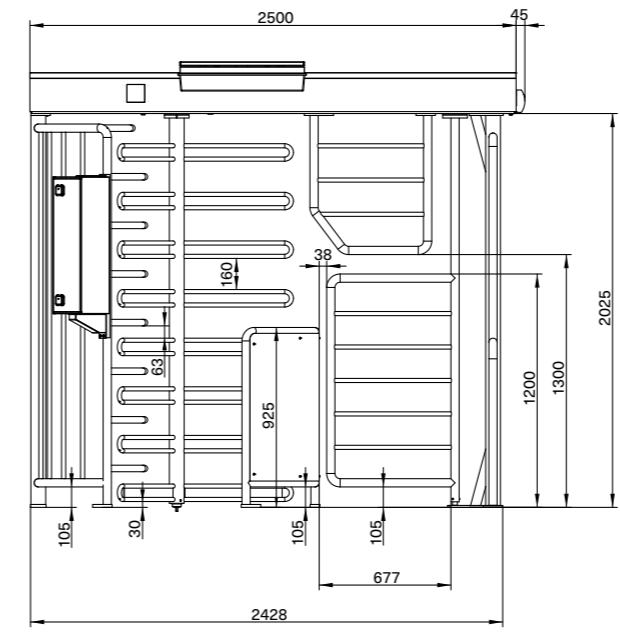
Special colours are also available on request and can be selected from the table of four-digit RAL colours.

Potential applications

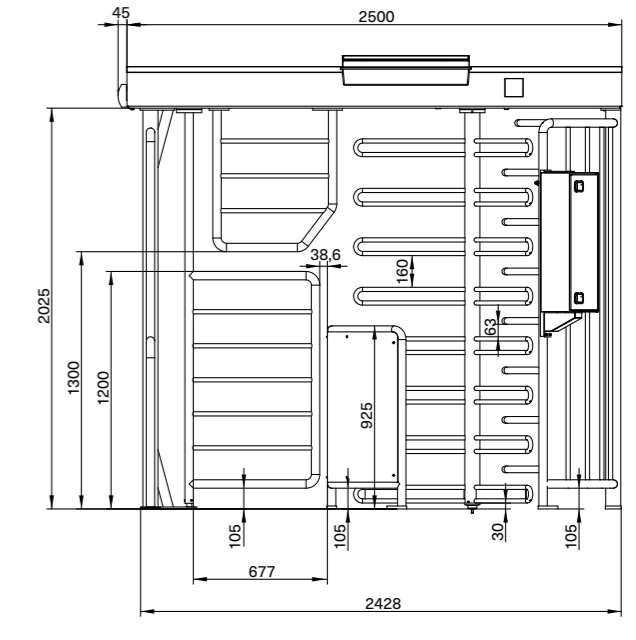


Dimensional drawings

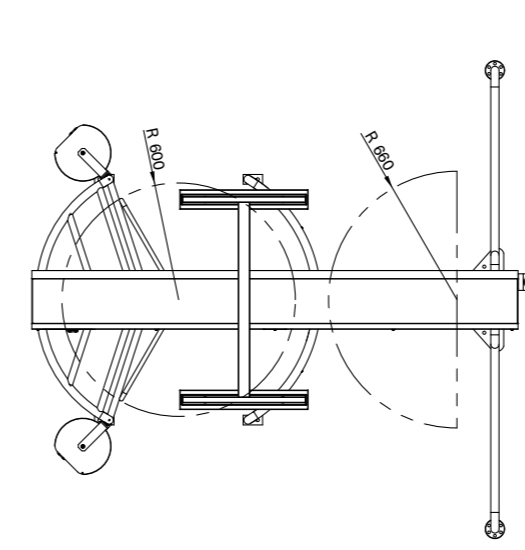
Front view from outside
Variant: Full height turnstile, right side version



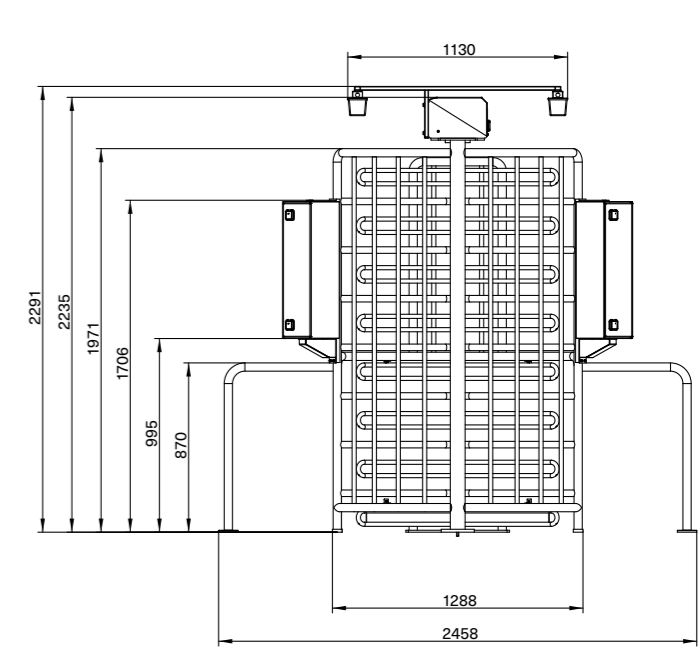
Front view from outside
Variant: Full height turnstile, left side version



View from above



Side view



Perimeter protection

MPB

Full height turnstile with bicycle gate



Products in basic configuration

Article number	Product description
MPB 311	High turnstile with bicycle passage electro-mechanical, bicycle door motor driven
	Entrance side left
MPB311AA101	All parts powder coated in RAL7042, guide element in stainless steel (V4A/AISI316L; AISI316Ti), prepared for on-site induction loops
MPB311AA101X	All parts powder coated in special colour, guide element in stainless steel (V4A/AISI316L; AISI316Ti), prepared for on-site induction loops
MPB311AA141	Centre pillar, bicycle door and guide element in stainless steel (V4A), all other parts powder coated in RAL7042, prepared for on-site induction loops
MPB311AA141X	Centre pillar, bicycle door and guide element in stainless steel (V4A), all other parts powder coated in special colour, prepared for on-site induction loops
	Entrance side right
MPB311BA101	All parts powder coated in RAL7042, guide element in stainless steel (V4A/AISI316L; AISI316Ti), prepared for on-site induction loops
MPB311BA101X	All parts powder coated in special colour, guide element in stainless steel (V4A/AISI316L; AISI316Ti), prepared for on-site induction loops
MPB311BA141	Centre pillar, bicycle door and guide element in stainless steel (V4A/AISI316L; AISI316Ti), all other parts powder coated in RAL7042, prepared for on-site induction loops
MPB311BA141X	Centre pillar, bicycle door and guide element in stainless steel (V4A/AISI316L; AISI316Ti), all other parts powder coated in special colour, prepared for on-site induction loops

Options and accessories for high turnstile MPB

Article number	Product description
Services and accessories	
PHZT3GBMP	Additional charge for PHC at service door of support beam MPT*3*/MPG/MPB
VBSET	Connection kit A-module + B-module for a common power supply
MPBBSOF	Mounting set for concrete foundation (1 MPB)
MPBBS	Mounting set for foundation frame (1 MPB)

Locking for MPB311

EP100	Conversion charge for entry locked in case of power failure (for each direction 1 kit is required)
EP101	Conversion charge for exit locked (for each direction 1 kit is required)
MAENT101	Lock mechanical release MPT (to be ordered per locking unit and per direction, mandatory for MPTX0)

Passage indicator GED (Gate End Display)

GED105MP	2 pieces passage indicator GED (Gate End Display) for MPT*3*/MPG/MPB, green arrow, red X, one piece per side integrated in the support beam/cover
----------	---

Mounting pillar for installing of access control units

ASMP	Chrome steel powder coated in RAL7042, with mounting plate
ASMPX	Chrome steel powder coated in RAL special colour, with mounting plate
ASMPPHZ	Chrome steel powder coated in RAL7042, with mounting plate, prepared for key cylinder
ASMPPHZX	Chrome steel powder coated in RAL special colour, with mounting plate, prepared for key cylinder

Mounting kit mounting bracket

AMWMPB	Mounting kit bracket for cage half MPB in stainless steel not painted, 1 piece
AMWMPBR	Mounting kit bracket for cage half MPB in stainless steel powder coated in RAL7042, 1 piece
AMWMPBX	Mounting kit bracket for cage half MPB in stainless steel in matching turnstile colour, 1 piece

Options and accessories for high turnstile MPB

Article number	Product description
Lighting	
BELED	Lighting LED for MPT*3*/MPG/MPB, consisting of 2 lamps and support, powder coated in RAL7042, without twilight switch (not for mechanical high turnstiles, only for 230 V/50 Hz)
BELEDDS	Lighting LED for MPT*3*/MPG/MPB, consisting of 2 lamps and support, powder coated in RAL7042, with twilight switch (not for mechanical high turnstiles, only for 230 V/50 Hz)

Premium roof

ADACHBAR	Add-on roof in RAL7042 for MPB (left)
ADACHBAFX	Add-on roof in special colour for MPB (left)
ADACHBBR	Add-on roof in RAL7042 for MPB (right)
ADACHBBFX	Add-on roof in special colour for MPB (right)
PDACHBR	Pent roof freestanding for MPB, powder coated in RAL7042 (4 posts)
PDACHBFX	Pent roof freestanding for MPB, powder coated in special colour (4 posts)
PDACH2BR	Pent roof freestanding for 2 MPB, powder coated in RAL7042 (6 posts)
PDACH2BFX	Pent roof freestanding for 2 MPB, powder coated in special colour (6 posts)
BSS104	Mounting set for pent roof on foundation frame for 2 posts
BSS105	Mounting set for pent roof on ground for 2 posts

Premium foundation frames

FURAB	Foundation frame for MPB without roof
FURABD	Foundation frame for MPB with roof freestanding
FURA2B	Foundation frame for 2 MPB without roof
FURA2BD	Foundation frame for 2 MPB (A+B) with roof freestanding
MPBBS	Mounting set for foundation frame (1 MPB)

Spare parts

A comprehensive digital list of spare parts for perimeter protection is available. If necessary, please request this via e-mail to cs@ac-magnetic.com