

MPG

Full height swing door

- > Controlled access for cyclists and wheelchair users
- > Sensitive impact detection for maximum safety
- > Induction loop detector for detection of bicycles and wheelchairs (optional, integrated in the side panel)
- > Low power consumption thanks to maintenance-free MHTM™ drive
- > Designed for 10 million opening and closing cycles



Technical data	MPG 162	MPG 172
Installation	In combination with turnstile system	Free-standing
Drive technology	MHTM™	MHTM™
Control system	MBC	MBC
Voltage	110 – 230 V AC, 50 – 60 Hz	110 – 230 V AC, 50 – 60 Hz
Power consumption	Approx. 25 W	Approx. 25 W
Duty cycle	100 %	100 %
Opening/closing times	Approx. 3 s	Approx. 3 s
Passage width	1087 mm	1070 mm
Enclosure rating	IP43 (IP54 optionally available)	IP43 (IP54 optionally available)
Dimensions (L x W x H)	1451 x 500 (excl. guide bar) x 2235 mm	1623 x 500 (excl. guide bar) x 2235 mm
Weight	Approx. 220 kg	Approx. 250 kg
Temperature range	-25 to +55 °C	-25 to +55 °C

Standard colour

RAL 7042

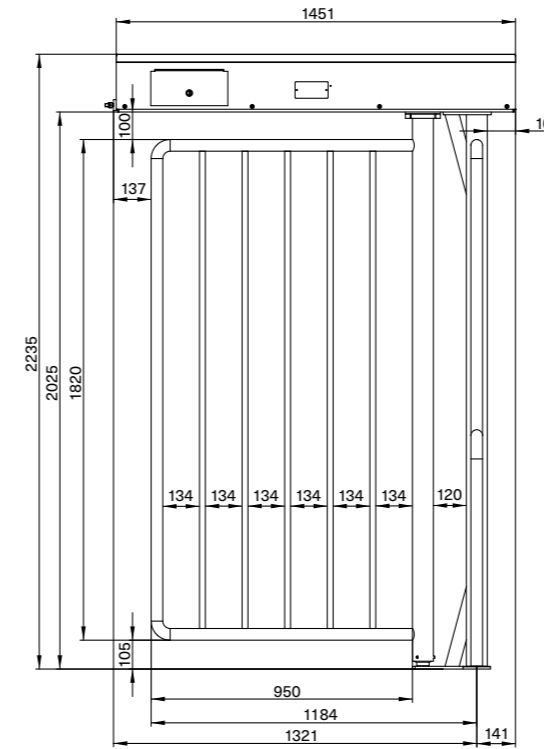
Special colours are also available on request and can be selected from the table of four-digit RAL colours.

Potential applications

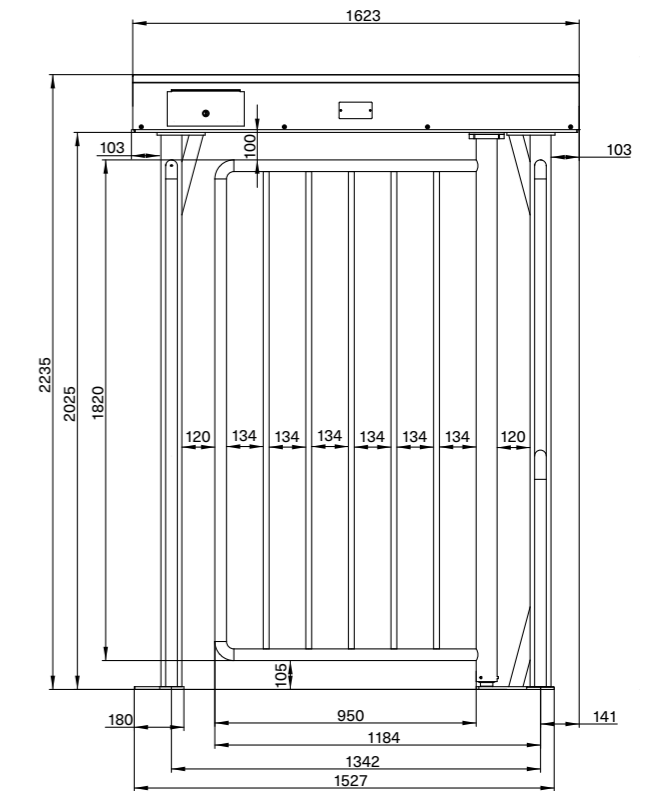


Dimensional drawings

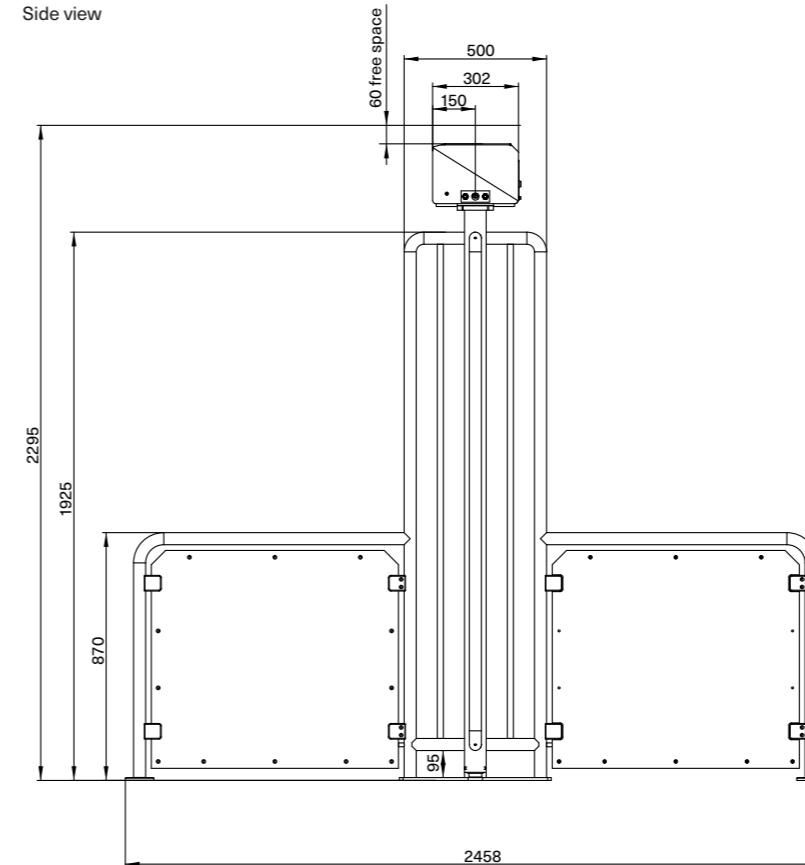
MPG 162
Front view from inside



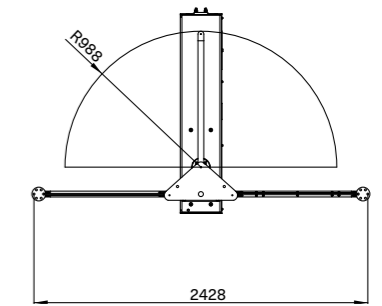
MPG 172
Front view from inside



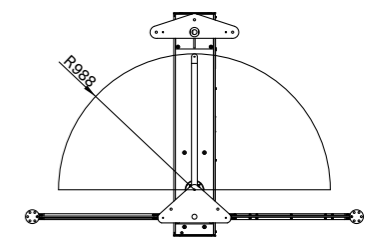
MPG 162 und MPG 172
Side view



MPG 162
View from below



MPG 172
View from below



MPG

Full height swing door



Products in basic configuration

Article number	Product description
MPG 162	High swing gate in combination with turnstile¹
MPG162CA100	Hot dip galvanized+ powder coated in RAL7042
MPG162CA100X	Hot dip galvanized + powder coated in RAL special colour
MPG162CA140	Hot dip galvanized + powder coated in RAL7042, swing gate in stainless steel (V4A/AISI316L; AISI316Ti)
MPG162CA140X	Hot dip galvanized + powder coated in RAL special colour, swing gate in stainless steel (V4A/AISI316L; AISI316Ti)
MPG 172	High swing gate in stand-alone version¹
MPG172CA100	Hot dip galvanized + powder coated in RAL7042
MPG172CA100X	Hot dip galvanized + powder coated in RAL special colour
MPG172CA140	Hot dip galvanized + powder coated in RAL7042, swing gate in stainless steel (V4A/AISI316L; AISI316Ti)
MPG172CA140X	Hot dip galvanized + powder coated in RAL special colour, swing gate in stainless steel (V4A/AISI316L; AISI316Ti)

¹ Including control units MBC-110, MMC120 and fixing kit, steel frame construction

Options and accessories for swing gate MPG 162

Article number	Product description
Optional configuration	
PHZT3GBMP	Additional charge for PHC at service door of support beam MPT*3*/MPG/MPB
Locking device – please indicate with your order	
VRM3	Powerless unlocked
VRM4	Powerless locked
Passage indicator GED (Gate End Display)	
GED105MP	2 pieces passage indicator GED (Gate End Display) for MPT*3*/MPG/MPB, green arrow, red X, one piece per side integrated in the support beam/cover
Lighting	
BE2LED	Lighting LED for MPT *3* with MPG162/MPT*5*, consisting of 4 lamps and support, powder coated in RAL7042, without twilight switch (not for mechanical high turnstiles, only for 230 V/50 Hz)
BE2LEDDS	Lighting LED for MPT *3* with MPG162/MPT*5*, consisting of 4 lamps and support, powder coated in RAL7042, with twilight switch (not for mechanical high turnstiles, only for 230 V/50 Hz)

Roof

1008_5238	Add-on roof type D for MPT*3* with MPG162, powder coated in RAL7042
1008_5139X	Add-on roof type D for MPT*3* with MPG162, powder coated in special colour
1008_5050	Pent roof freestanding for MPT*3* and MPG162, powder coated in RAL7042 (6 posts)
1008_5050X	Pent roof freestanding for MPT*3* and MPG162, powder coated in special colour (6 posts)

Foundation frames

1031_5376	Extension foundation frame kit for MPG162
1031_5378	Extension foundation frame kit for MPG162 with roof freestanding

Premium roof

ADACHT3G16R	Add-on roof for MPT*3* with MPG162, powder coated in RAL7042
ADACHT3G16FX	Add-on roof for MPT*3* with MPG162, powder coated in special colour
PDACHT3G16R	Pent roof freestanding for MPT*3* and MPG162, powder coated in RAL7042 (6 posts)
PDACHT3G16FX	Pent roof freestanding for MPT*3* and MPG162, powder coated in special colour (6 posts)
BSS104	Mounting set for pent roof on foundation frame for 2 posts
BSS105	Mounting set for pent roof on ground for 2 posts

Premium foundation frames

FURAT3G160	Foundation frame for MPT*3* with MPG162 without roof
FURAADT3G160	Foundation frame for MPT*3* with MPG162 with add-on roof
FURAT3G160D	Foundation frame for MPT*3* with MPG162 with roof freestanding

Options and accessories for swing gate MPG 172

Article number	Product description
Optional configuration	
PHZT3GBMP	Additional charge for PHC at service door of support beam MPT*3*/MPG/MPB
Locking device – please indicate with your order	
VRM3	Powerless unlocked
VRM4	Powerless locked
Passage indicator GED (Gate End Display)	
GED105MP	2 pieces passage indicator GED (Gate End Display) for MPT*3*/MPG/MPB, green arrow, red X, one piece per side integrated in the support beam/cover
Lighting	
BELED	Lighting LED for MPT*3*/MPG/MPB, consisting of 2 lamps and support, powder coated in RAL7042, without twilight switch (not for mechanical high turnstiles, only for 230 V/50 Hz)
BELEDDS	Lighting LED for MPT*3*/MPG/MPB, consisting of 2 lamps and support, powder coated in RAL7042, with twilight switch (not for mechanical high turnstiles, only for 230 V/50 Hz)

Roof

1008_5053	Pent roof freestanding for MPG172, powder coated in RAL7042 (4 posts)
1008_5053X	Pent roof freestanding for MPG172, powder coated in special colour (4 posts)

Foundation frames

1031_5373	Foundation frame for MPG172 without roof
1031_5381	Foundation frame for MPG172 with roof freestanding

Premium roof

ADACHG17R	Add-on roof for MPT172, powder coated in RAL7042
ADACHG17FX	Add-on roof for MPT172, powder coated in special colour
PDACHG17R	Pent roof freestanding for MPG172, powder coated in RAL7042 (4 posts)
PDACHG17FX	Pent roof freestanding for MPG172, powder coated in special colour (4 posts)
BSS104	Mounting set for pent roof on foundation frame for 2 posts
BSS105	Mounting set for pent roof on ground for 2 posts

Premium foundation frames

FURAG170	Foundation frame for MPG172 without roof
FURAG170D	Foundation frame for MPG172 with roof freestanding

Spare parts

A comprehensive digital list of spare parts for perimeter protection is available. If necessary, please request this via e-mail to cs@ac-magnetic.com