

MPT

Full height double turnstile

- > Space-saving double system for two independent passageways
- > Mechanical, electromechanical or motorized designs available
- > Sensitive impact detection for maximum safety
- > Numerous options, e.g. expansion for wheelchair access
- > Designed for 10 million opening and closing cycles



| Technical data | MPT 152 3-wing | MPT 152 4-wing | MPT 353 3-wing | MPT 353 4-wing | MPT 350 3-wing | MPT 350 4-wing |
|---|----------------------------------|--------------------------|----------------------------------|--------------------------|----------------------------------|--------------------------|
| Number of wings (angle) | 3 (120°) | 4 (90°) | 3 (120°) | 4 (90°) | 3 (120°) | 4 (90°) |
| Throughput (number of persons per min.) ¹ | Approx. 30 | Approx. 30 | Approx. 30 | Approx. 30 | Approx. 30 | Approx. 30 |
| Drive technology | MHTM™ | | Electro-mechanical | | Mechanical | |
| Control system | MBC | | MGC | | - | |
| Voltage | 100–240 V AC, 50–60 Hz | | 100–240 V AC, 50–60 Hz | | - | |
| Power consumption | Approx. 50 W | | Approx. 50 W | | - | |
| Duty cycle | 100 % | | 100 % | | - | |
| Enclosure rating | IP43 (IP54 optionally available) | | IP43 (IP54 optionally available) | | IP43 (IP54 optionally available) | |
| Dimensions (L x W x H) | 2210 x 1318 x 2235 mm | 2071 x 1382 x 2235 mm | 2210 x 1318 x 2235 mm | 2071 x 1382 x 2235 mm | 2210 x 1318 x 2235 mm | 2071 x 1382 x 2235 mm |
| Weight | Approx. 450 kg | Approx. 450 kg | Approx. 450 kg | Approx. 450 kg | Approx. 450 kg | Approx. 450 kg |
| Temperature range | -25 to +55 °C | | -30 to +55 °C | | -30 to +55 °C | |

¹ Depending on reader, product configuration, person behaviour

Standard colour

RAL 7042

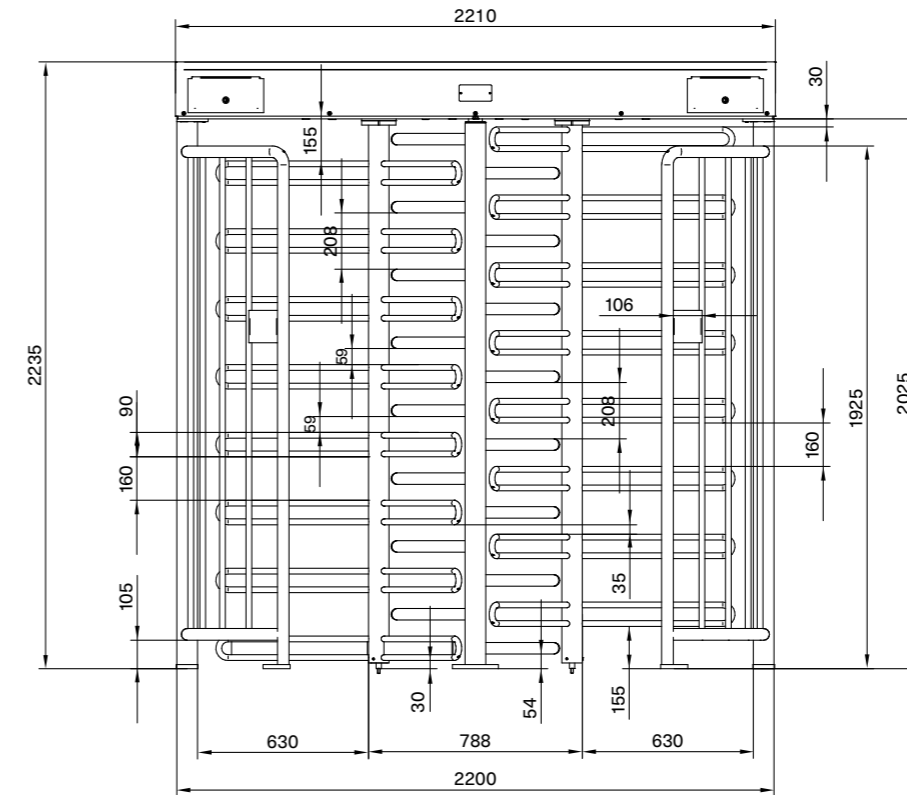
Special colours are also available on request and can be selected from the table of four-digit RAL colours.

Potential applications

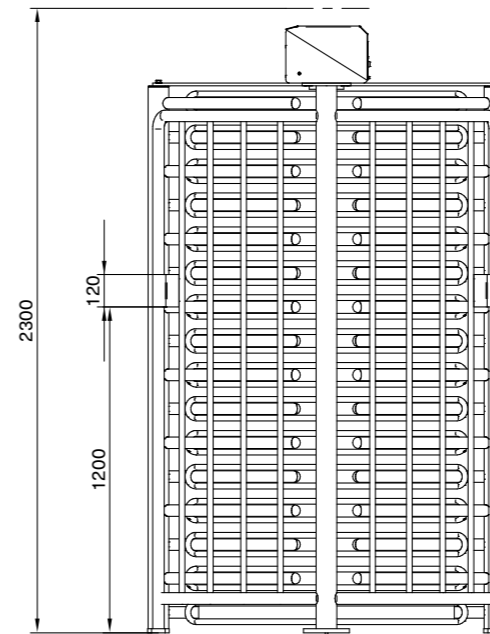


Dimensional drawings

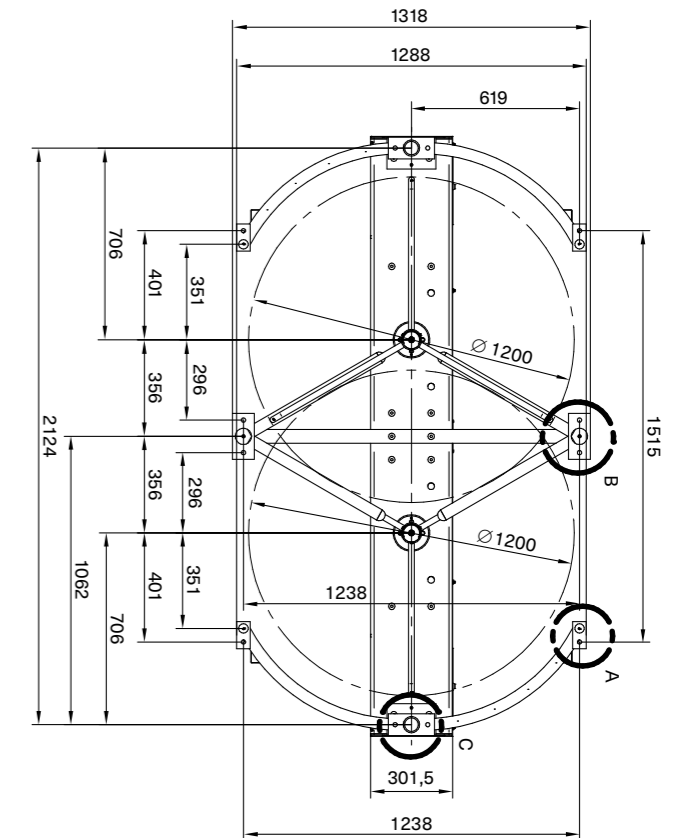
MPT 353 – 3-wing variants (3 x 120°)
Front view from inside



MPT 353 – 3-wing variants (3 x 120°)
Side view



MPT 353 – 3-wing variants (3 x 120°)
View from below



MPT

Full height double turnstile



Products in basic configuration

| Article number | Product description |
|----------------|---|
| MPT353 | Full height double turnstile, electro-mechanical ¹ |
| MPT353CA300 | Hot dip galvanized + powder coated in RAL7042 |
| MPT353CA300X | Hot dip galvanized + powder coated in RAL special colour |
| MPT353CA340 | Hot dip galvanized + powder coated in RAL7042, centre in stainless steel (V4A/AISI316L; AISI316Ti) |
| MPT353CA340X | Hot dip galvanized + powder coated in RAL special colour, centre in stainless steel (V4A/AISI316L; AISI316Ti) |
| MPT353CA320 | Stainless steel tube construction (V4A/AISI316L; AISI316Ti) |
| MPT152 | Full height double turnstile, motor driven ² |
| MPT152CA300 | Hot dip galvanized + powder coated in RAL7042 |
| MPT152CA300X | Hot dip galvanized + powder coated in RAL special colour |
| MPT152CA340 | Hot dip galvanized + powder coated in RAL7042, centre in stainless steel (V4A/AISI316L; AISI316Ti) |
| MPT152CA340X | Hot dip galvanized + powder coated in RAL special colour, centre in stainless steel (V4A/AISI316L; AISI316Ti) |
| MPT152CA320 | Stainless steel tube construction (V4A/AISI316L; AISI316Ti) |
| MPT350 | Full height double turnstile, mechanical ³ |
| MPT350CZ300 | Hot dip galvanized + powder coated in RAL7042 |
| MPT350CZ300X | Hot dip galvanized + powder coated in RAL special colour |
| MPT350CZ340 | Hot dip galvanized + powder coated in RAL7042, centre in stainless steel (V4A/AISI316L; AISI316Ti) |
| MPT350CZ340X | Hot dip galvanized + powder coated in RAL special colour, centre in stainless steel (V4A/AISI316L; AISI316Ti) |
| MPT350CZ320 | Stainless steel tube construction (V4A/AISI316L; AISI316Ti) |

¹ Including control unit MGC and fixing kit, steel frame construction, 3 x 120° arrangement

² Including control units MBC-110, MMC120 and fixing kit, steel frame construction, 3 x 120° arrangement

³ Including fixing kit, steel frame construction, 3 x 120° arrangement

Options and accessories for MPT double turnstile

| Article number | Product description |
|------------------------|---|
| Optional configuration | |
| 4x90T5MP | Additional charge for arrangement 4 x 90° (not for MPT*5*CA/Z320) |
| PHZT5MP | Additional charge for PHC at service door of support beam MPT*5* |

Locking for MPT333/330/353/350

| | |
|----------|---|
| EP100 | Conversion charge for entry locked in case of power failure (for each direction 1 kit is required) |
| EP101 | Conversion charge for exit locked in case of power failure (for each direction 1 kit is required) |
| MAENT101 | Lock mechanical release MPT (to be ordered per locking unit and per direction, mandatory for MPTX0) |

Locking for MPT132/152

| | |
|------|--|
| VRM1 | One way locking unit in case of power failure, required once per turnstile (for each direction 1 kit is required) |
| VRM2 | Both way locking unit in case of power failure, required once per turnstile (for each direction 1 kit is required) |

Passage indicator GED (Gate End Display)

| | |
|----------|---|
| GED106MP | 4 pieces passage indicator GED (Gate End Display) for MPT*5*, green arrow, red X, one piece per side integrated in the support beam/cover |
|----------|---|

Mounting pillar for installing of access control units

| | |
|----------|--|
| ASMP | Chrome steel powder coated in RAL7042, with mounting plate |
| ASMPX | Chrome steel powder coated in RAL special colour, with mounting plate |
| ASMPPHZ | Chrome steel powder coated in RAL7042, with mounting plate, prepared for key cylinder |
| ASMPPHZX | Chrome steel powder coated in RAL special colour, with mounting plate, prepared for key cylinder |

Cover of reader holder

| | |
|---------|---|
| AMWMPTR | Cover of reader holder in stainless steel powder coated in RAL7042, 1 piece |
| AMWMPTX | Cover of reader holder in stainless steel in matching turnstile colour, 1 piece |
| AMWMPT | Cover of reader holder in stainless steel not painted, 1 piece |

Push button

| | |
|-------|---|
| DT101 | Illuminated push button for release of passage by keystroke (per passage direction) |
| DT102 | Surface-mounted button IP67 for free exit |

Options and accessories for MPT double turnstile

| Article number | Product description |
|----------------|--|
| Lighting | |
| BE2LED | Lighting LED for MPT *3* with MPG162/MPT*5*, consisting of 4 lamps and support, powder coated in RAL7042, without twilight switch (not for mechanical high turnstiles, only for 230 V/50 Hz) |

| | |
|----------|---|
| BE2LEDDS | Lighting LED for MPT *3* with MPG162/MPT*5*, consisting of 4 lamps and support, powder coated in RAL7042, with twilight switch (not for mechanical high turnstiles, only for 230 V/50 Hz) |
|----------|---|

Roof

| | |
|------------|--|
| 1008_5239 | Add-on roof for MPT*5*, powder coated in RAL7042 |
| 1008_5140X | Add-on roof E for MPT*5*, powder coated in special colour |
| 1008_5110 | Pent roof freestanding for MPT*5*, powder coated in RAL7042 (4 posts) |
| 1008_5012X | Pent roof freestanding for MPT*5*, powder coated in special colour (4 posts) |

Foundation frames for 3 x 120°⁴

| | |
|-----------|--|
| 1031_5293 | Foundation frame for MPT*5* without roof |
| 1031_5298 | Foundation frame for MPT*5* with roof freestanding |

Premium roof⁵

| | |
|------------|--|
| ADACHT5R | Add-on roof powder coated in RAL7042 for MPT*5* |
| ADACHT5FX | Add-on roof for MPT*5*, powder coated in special colour |
| PDACHT5R | Pent roof freestanding for MPT*5*, powder coated in RAL7042 (4 posts) |
| PDACHT5FX | Pent roof freestanding for MPT*5*, powder coated in special colour (4 posts) |
| PDACH2T3R | Pent roof freestanding for 2 MPT*3*, powder coated in RAL7042 (6 posts) |
| PDACH2T3FX | Pent roof freestanding for 2 MPT*3*, powder coated in special colour (6 posts) |
| PDACH3T3R | Pent roof freestanding for 3 MPT*3*, powder coated in RAL7042 (8 posts) |
| PDACH3T3FX | Pent roof freestanding for 3 MPT*3*, powder coated in special colour (8 posts) |
| BSS104 | Mounting set for pent roof on foundation frame for 2 posts |
| BSS105 | Mounting set for pent roof on ground for 2 posts |

Premium foundation frames for 3 x 120°^{4 5}

| | |
|---------|--|
| FURAT5 | Foundation frame for MPT*5* without roof |
| FURAT5D | Foundation frame for MPT*5* with roof freestanding |

⁴ Premium foundation frames for 4 x 90° only on request.

⁵ Premium foundation frames are only combinable with premium roofs.

Spare parts

A comprehensive digital list of spare parts for perimeter protection is available. If necessary, please request this via e-mail to cs@ac-magnetic.com