

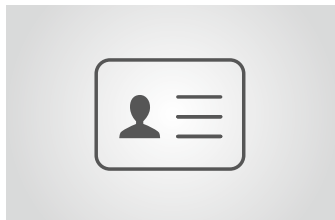


For fast identity checks at the border crossing

The systematic control of boarding passes, identity documents and biometrics is an integral part of the customer journey at the airport. With the Momentum[®] series, Magnetic offers airport operators, authorities and system integrators customised gates for all touch points. They speed up checks and allow the flow of people to gain momentum. The ABC gate mBorder is designed for identity verification based on passport documents and biometrics.

The acceleration takes place in several areas: the 200,000 times proven drive and control units ensure extremely low opening and closing times for the barrier elements. A large number of light

sensors monitor the users, detect unauthorised behaviour and potential interruptions and counteract these. The quick replacement of drive and control units guarantees high system availability. mBorder can be configured individually: in the standard configuration with 2 half-height swing doors and in the SDE configuration with the patented Single Door Exit with height-adjustable biometrics. Visually, different colours and materials are available; technically, mBorder can be adapted to the requirements through multi-lane applications, gantry systems and mounting options for biometric systems.



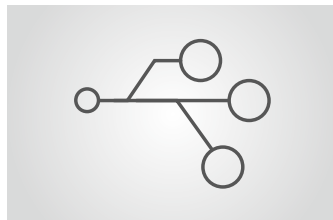
Fast identity verification

mBorder takes identity verification at border crossings to a new level. With intuitive operation, comprehensive monitoring and high reliability, a large number of travellers can be checked in the shortest possible time.



Versatile biometrics

mBorder can be equipped with a variety of biometric readers: in the standard configuration with facial recognition, and in the SDE version with facial recognition, fingerprint and iris scanners. In addition, CCTV systems can be integrated.



Simple integration

Momentum[®] provides the hardware for the digital security architecture. The pedestrian gates can be equipped with all common readers and are therefore particularly easy to integrate into existing data processing and security systems.



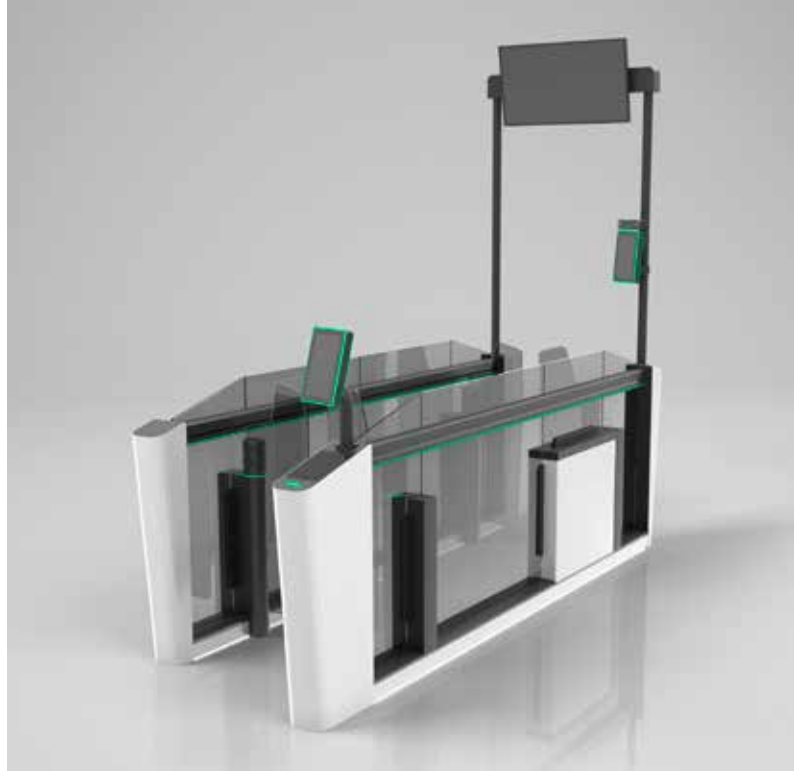
Innovative drive technology

The drive and control units are Magnetic's core technology. With its low-energy approach, the Magnetic Safety Drive System MSDS[®] combines high efficiency and economical operation with maximum personal safety.

mBorder

Automated border control gate

- > High passenger throughput significantly shortens border control time
- > Particularly intuitive passage process
- > High safety level due to high locking elements (SDE version)
- > Seamless integration into all common IT infrastructures
- > Easy maintenance and retrofitting due to modular design
- > Configurable according to individual requirements
- > Maximum passenger safety due to Magnetic Safety Drive System MSDS® with low-energy drive
- > Designed for 10 000 000 opening and closing cycles



Technical data	mBorder standard	mBorder SDE
Application	Indoor	
Passage width	Standard: 600 mm, wide lane: 900 mm (more on request)	
Height of barrier elements	Standard: 1100 mm (more on request)	
Opening/closing time	0.6–1.0 s ¹	> 2.0 s ¹
Flow ratings	Approx. 30 PAX/min. ²	
Drive technology	MHTM™	
Control system	MGC plus	
Parameter setting	Via API or web-UI	
Power consumption	Maximum 400 W ³	
Housing material	Aluminium and sheet steel powder-coated Stainless steel (on request)	
Enclosure rating	IP32	
Housing dimensions (L x H x W)	3180 x 1400 x 160 mm	3265 x 1400 x 160 mm
Weight A unit	approx. 210 kg	approx. 185 kg
Weight B unit	approx. 325 kg	approx. 345 kg
Weight C unit	approx. 350 kg	approx. 370 kg
Temperature range	0 to +40 °C	

¹ Depending on barrier element dimension; opening and closing times limited by low-energy drive and technical specifications for maximum impact forces.

² Depending on reader, lock setting, person behaviour and superordinate systems.

³ Power consumption refers exclusively to Magnetic components.

Options

Document and bar code readers

Fingerprint scanner

Iris scanner

Overhead camera

Intercom

Buzzer for acoustic signalling

Key switch (different functional assignments possible)

Failure locking for power failures (for exit doors)

Uninterruptible power supply (UPS)

Guidance lights (green, orange and red)

Floor illumination

Customised glass panels (tinted/clear)

For additional options please contact your Magnetic supplier.

Potential applications



Standard colours (special colours on request)



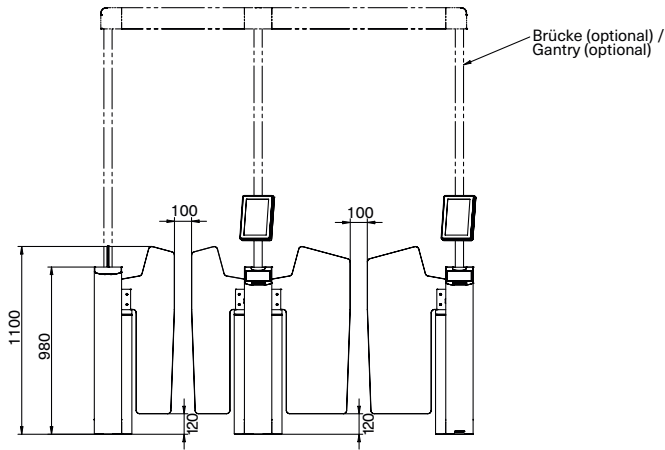
Pure white, smooth glossy
(RAL 9010)



Jet black, fine structure matt
(RAL 9005)

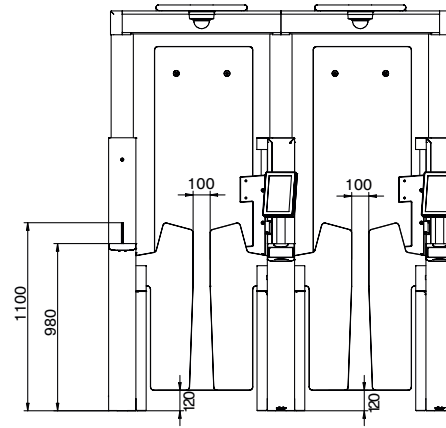
Dimensional drawings mBorder standard configuration

mBorder (2-line configuration) – front view

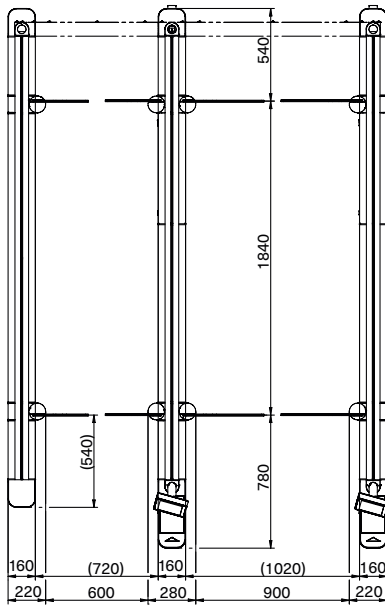


Dimensional drawings mBorder SDE

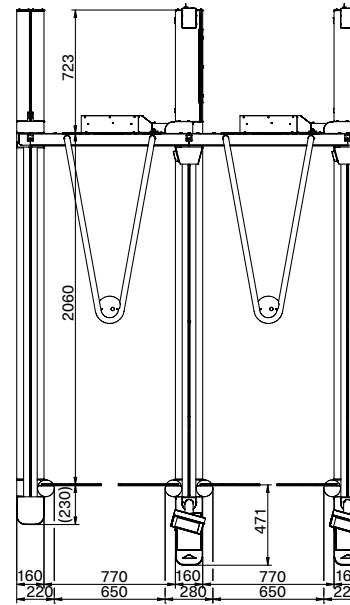
mBorder SDE (2-line configuration) – front view



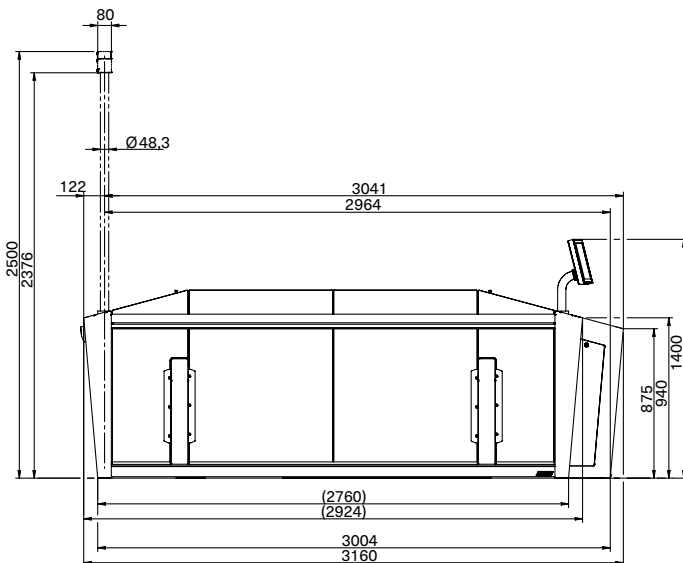
mBorder (2-line configuration) – top view



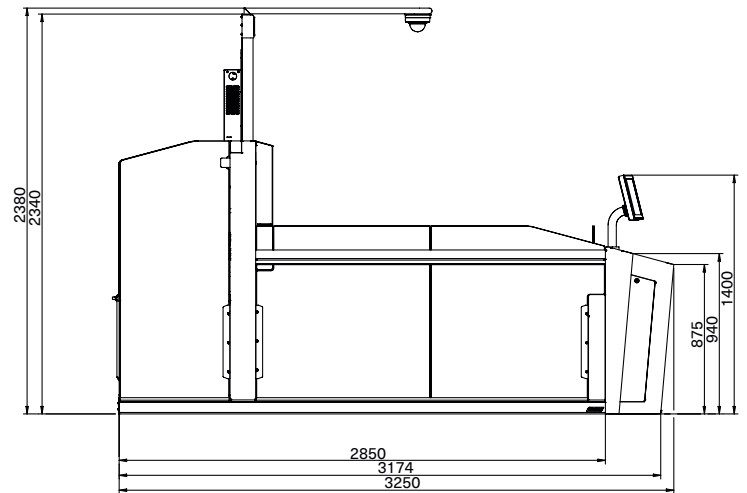
mBorder SDE (2-line configuration) – top view



mBorder (2-line configuration) – side view



mBorder SDE (2-line configuration) – side view



Access to Progress

Magnetic stands for pioneering products – in every way. Our access control systems for vehicles or pedestrians clear the way for thousands of people every day – at car parks, toll gates, stations, airports and in buildings. Our technology is also pioneering, however: with innovative drives, intelligent control systems and well thought-out details it provides maximum safety and longevity. Are you also on the path to Magnetic?



Vehicle barriers

Access barriers
Parking barriers
Toll barriers
Special barriers



Pedestrian gates

Turnstiles
Swing gates
Tripod gates
Retractable gates
Wing gates



Terminals

Cars
Trucks

Germany
MAGNETIC AUTOCONTROL GMBH
Grienmatt 20
79650 Schopfheim
Phone +49 7622 695-5
Fax +49 7622 695-800
E-mail info@magnetic-germany.com

Australia
MAGNETIC AUTOMATION PTY LTD
38 Metrolink Circuit
Campbellfield, VIC 3061
Phone +61 3 9339 2900
E-mail info@magnetic-oz.com

Austria
FAAC GMBH
Münchner Bundesstraße 123
5020 Salzburg
Phone +43 662 853395-0
E-mail at.info@faacgroup.com

Benelux countries
FAAC BENELUX NV/SA
Industriezone 3B
8490 Jabbeke
Belgium
Phone +32 50 320202
E-mail info@magnetic-benelux.com

MAGNETIC AUTOCONTROL GMBH
www.magnetic-access.com

Brazil
MAGNETIC AUTOCONTROL LTDA
Rua Toledo Barbosa 491.
03061-000 Belenzinho
São Paulo - SP - Brasil
Phone +55 11 5660 8500
E-mail info@magnetic-br.com

China
MAGNETIC CONTROL SYSTEMS CO., LTD
No. 3 Building, No. 51
Lane 1159, Kang Qiao (East) Road
Kang Qiao Industrial Zone, Shanghai
Phone +86 21 68182970
E-mail info@magnetic-cn.com

France
FAAC FRANCE
377 Rue Ferdinand Perrier
69808 St Priest Cedex
Phone +33 4 72 21 86 89
E-mail info@magnetic-fr.com

India
MAGNETIC FAAC INDIA PVT LTD.
PRS Centre
Plot No. 373 to 376, 2nd Floor (West Wing)
1st Cross Street, Nehru Nagar
Old Mahabalipuram Road
Kottivakkam (Opp Rayala Technopark,
Perungudi)
Chennai 600041
Phone +91 44 421 23297
E-mail info@magnetic-india.com

Ireland
NATIONAL AUTOMATION LTD
Boyle Business Park,
Boyle, Co. Roscommon
F52 V590
Phone + 353 71 9663893
E-mail sales@na1.ie

Italy
FAAC S.P.A. SOC. UNIPERSONALE
Via Calari, 10
40069 Zola Predosa (BO)
Phone +39 05161724
E-mail controlloaccessi@faacgroup.com

Middle East
FAAC MIDDLE EAST FZE
Dubai Silicon Oasis
PO Box 54886
Dubai
United Arab Emirates
Phone +971 4 3724193
E-mail info@magnetic-uae.com

N. and S. America (excl. Brazil)
FAAC INTERNATIONAL, INC
3160 Murrell Road
Rockledge, FL 32955
USA
Phone +1 321 635 8585
E-mail info@magnetic-usa.com

Russia
FAAC RUSSIA
111141, г. Москва,
3-й проезд Перова Поля,
дом 8, стр. 1
Phone +7 (495) 646-87-40
E-mail info@faac.ru

Scandinavia
FAAC NORDIC AB
Box 125
284 22 Perstorp
Sweden
Phone +46 435 77 95 03
E-mail info@magnetic-nordic.com

Southeast Asia
MAGNETIC CONTROL SYSTEMS SDN. BHD
No. 17, Jalan Anggerik Mokara 31/54
Taman Perindustrian Kota Kemuning
40460 Shah Alam
Selangor Darul Ehsan
Malaysia
Phone +60 3 5123 0033
E-mail info@magnetic-malaysia.com

Spain
CLEM, S.A.U.
Avda. de la Fuente Nueva, nº 12 –
Nave 8–18
28703 San Sebastián de los Reyes
Madrid
Phone: +34 91 358 11 10
E-mail: info@clem.es

United Kingdom
FAAC (UK) LIMITED
Unit 10 The Hatch Industrial Park,
Greywell Road,
Mapledurwell, Basingstoke, Hampshire,
RG24 7NG
Phone 01256 318100
E-mail sales@faac.co.uk