



# S2500I

Integrated 24V actuator  
for swing gates

**FAAC**  
*Simply automatic.*

# S2500I: innovative, exclusive design, high performance

For more than 50 years, FAAC has been synonymous with gate automation systems.

Our driving force is continuous research and attention to the needs of the market.

This is how we developed the S2500I, our first actuator integrated in a swing gate with a maximum leaf length of 2.5 m and weight of 250 Kg. It can be adapted to any architectural setting, ideal for homes and condominiums that are attentive to design and quality.

## THE STRENGTHS OF THE S2500I

### Modern design

The S2500I adapts perfectly to any architectural setting. The aluminium cover is available in two versions:

- RAL 7021 painted
- neutral, to be painted according to customer requirements

### A single, simple to install model

Designed to meet numerous application requirements, can be integrated in metal columns with the following dimensions: 10x10 cm, 12x12 cm and 15x15 cm.

The automation can be installed on new or existing gates. It can also be installed at a later stage, by initially preparing just the hinge and cover

### Exclusive flashing light

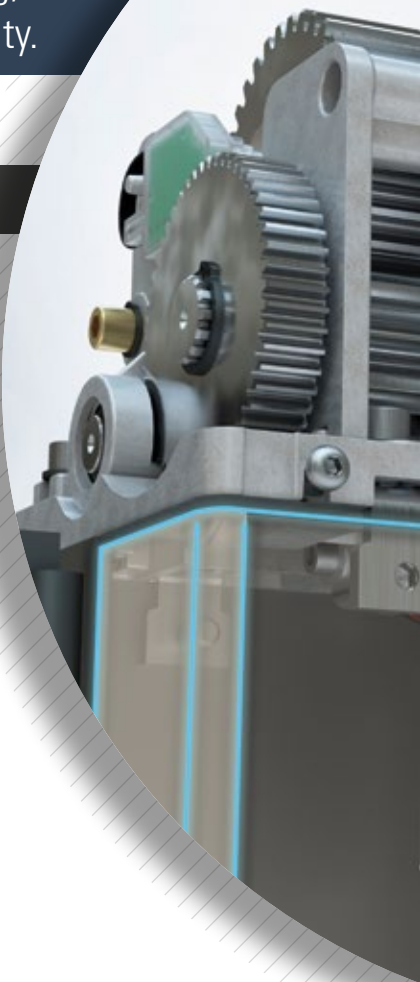
Integrated in the structure, making the gate aesthetically pleasing.

The flashing light is protected from impact and easily visible from both inside and outside

### High opening and closing speeds (adjustable)

Low waiting times.

The gate can open in just 10 seconds!



# Integrated 24V electromechanical actuator for swing gates

**FAAC  
PATENT**



## **Built-in mechanical stops (optional)**

The integrated adjustable stops allow both the opening and closing stop positions to be set, avoiding the need to install mechanical stops on the ground

## **Remote manual release**

Easily accessible from both inside and outside the property. Protected by a coded key and can be controlled remotely using the key selector with lever release

## **Maximum anti-crushing safety**

The integrated 24V electromechanical actuator is fitted with an absolute encoder that enables full control of the movement and reverse in the event of an obstacle



## **Compatible with FAAC electronic board E124**

Advantages: numerous programmable parameters, omnidec system, Bus 2easy. Intuitive programming with buttons and display



# S2500I is compatible with Simply Connect

---



Simply Connect is the FAAC App that can interact remotely with the automations, at any time and from anywhere. The App can also be used by your customers who will be amazed at just how simple and easy it is to manage their automation system.

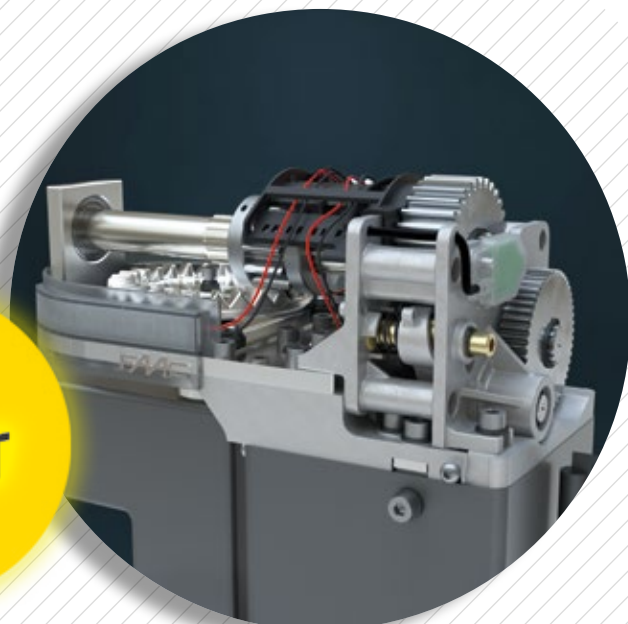
Simply Connect means:

- easy maintenance and management of automation systems
- remote programming and monitoring and high performances services for your customers



**DISCOVER THE  
ADVANTAGES  
OF SIMPLY CONNECT!**

# The beauty of not being seen!



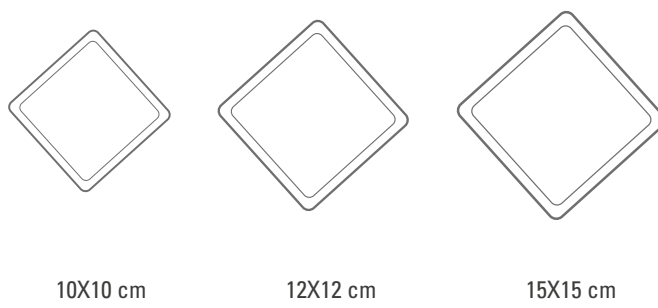
## DIMENSIONS AND TECHNICAL SPECIFICATIONS

<b>Model</b>	<b>S2500I</b>
Power supply	220-240V ~ 50/60 Hz
Electric motor	24 V $\equiv$
Power	40 W
Max torque	320 Nm
Square section pillar dimensions	10X10 cm, 12X12 cm, 15X15 cm*
Max leaf width	2 m   2.5 m with electric lock
Max leaf weight	Up to 250 kg**
Max angular speed	10°/s
Max leaf opening angle	165 °
Operating temperature	-20 °C to +55 °C
Type of use	Residential buildings/Apartment complexes
Number of continuous cycles per hour	100% continuous use
Protection rating	IPX4

### \*\*LEAF WEIGHT/LENGTH RATIO

LEAF LENGTH [m]	LEAF WEIGHT [kg]
2.5	150
2.25	165
2	185
1.75	210
1.5	250
< 1.25	250

### \*THE S2500I CAN BE INSTALLED ON SQUARE SECTION METAL COLUMNS



## HEADQUARTERS

### ITALY

FAAC S.p.A. - Soc. Unipersonale  
Via Calari 10 - 40069 Zola Predosa (BO)  
Tel. +39 051 61724 - Fax +39 051 0957820  
it.info@faacgroup.com - www.faacgroup.com

## SUBSIDIARIES

### ASIA - PACIFIC

FAAC MALAYSIA  
MAGNETIC CONTROL SYSTEMS SDN BHD  
Selangor, Malaysia  
tel. +60 3 5123 0033  
www.faac.biz

### AUSTRALIA

FAAC AUSTRALIA PTY LTD  
Regents Park, Sidney, NSW  
www.faac.com.au

### AUSTRIA

FAAC GMBH  
Salzburg, Austria  
tel. +43 662 85333950  
www.faac.at

### BENELUX

FAAC BENELUX NV/SA  
Jabbeke, Belgium  
tel. +32 50 320202  
info@faacbenelux.com  
www.faacbenelux.com

FAAC BV  
Doetinchem, The Netherlands  
tel. +31 314 369911  
faacbv.info@faacgroup.com  
www.faacbv.com

### BRAZIL

INDÚSTRIAS ROSSI ELETROMECAÂNICA LTDA  
Brasilia DF, Brazil  
tel. +55 61 33998787  
www.rossiporatoes.com.br

### CHINA

FAAC SHANGHAI  
Shanghai, China  
tel. +86 21 68182970  
www.faacgroup.cn

### FRANCE

FAAC FRANCE  
Saint Priest - Lyon, France  
tel. +33 4 72213020  
www.faac.fr

FAAC FRANCE - AGENCE PARIS  
Massy - Paris, France  
tel. +33 4 72213020  
www.faac.fr

FAAC FRANCE - DEPARTEMENT VOILETS  
Saint Denis de Pile - Bordeaux, France  
tel. +33 5 57551890  
www.faac.fr

### GERMANY

FAAC GMBH  
Freilassing, Germany  
tel. +49 8654 49810  
www.faac.de

### INDIA

MAGNETIC FAAC INDIA PVT LTD.  
Chennai - India  
Tel. +91 44 421 23297  
info@magnetic-india.com  
www.faacindia.com

### IRELAND

NATIONAL AUTOMATION LTD  
Co. Roscommon, Ireland  
tel. +353 71 9663893  
www.nal.ie

### MIDDLE EAST

FAAC MIDDLE EAST FZE  
Dubai, UAE  
tel. + 971 4 3724190  
www.faac.ae

### POLAND

FAAC POLSKA SP.ZO.O  
Warszawa, Poland  
tel. +48 22 8141422  
fax +48 22 8142024  
www.faac.pl

### RUSSIA

FAAC RUSSIA  
Moscow, Russia  
tel. +7 (495) 646 87 40  
www.faac.ru

### SCANDINAVIA

FAAC NORDIC AB  
Perstorp, Sweden  
tel. +46 435 779500  
www.faac.se

### SOUTH AFRICA

CENTURION SYSTEMS PTY LTD  
Johannesburg, South Africa  
tel. +27 11 699 2400  
www.centsys.co.za

### SPAIN

CLEM, S.A.U.  
San Sebastián de los Reyes - Madrid, Spain  
tel. +34 91 3581110  
www.faac.es

### SWITZERLAND

FAAC AG  
Altdorf, Switzerland  
tel. +41 41 8713440  
www.faac.ch

### UNITED KINGDOM

FAAC UK LTD.  
Basingstoke Hampshire, UK  
tel. +44 1256 318100  
www.faac.co.uk

### U.S.A.

FAAC INTERNATIONAL INC  
Rockledge, Florida - U.S.A.  
tel. +1 866 925 3222  
www.faacusa.com

FAAC INTERNATIONAL INC  
Fullerton, California - U.S.A.  
tel. +1 714 446 9800  
www.faacusa.com